



**BASINS**

**Model RBA8889-181 & RBA8889-182**

# CURVALINEAR™ SERIES STAINLESS STEEL WASHBASINS



### Materials & Features

**Countertop & Basin:** Constructed of heavy gauge, 1.5mm thick, type 304 stainless steel with satin finish. Seamless D shape bowl is deep drawn into the countertop. Integral backsplash and frame all have fully welded, seamless corners. A 35mm diameter tap hole is centred behind the basin, on the countertop. Basin is supplied with standard 40mm waste outlet, fixing S-clips and security screw bit.

**Trap Enclosure:** Where specified, the trap cover is made of heavy gauge, 2mm thick, type 304 stainless steel with satin finish. Security screws and captive nuts for mounting the cover are provided.

**Taps and Waste Piping:** not furnished

**Designers Note:** For increased vandal resistance, specify Model # RBA8889-182 Curvalinear™ Single User Basin with Trap Cover to enclose and conceal under-bench piping.

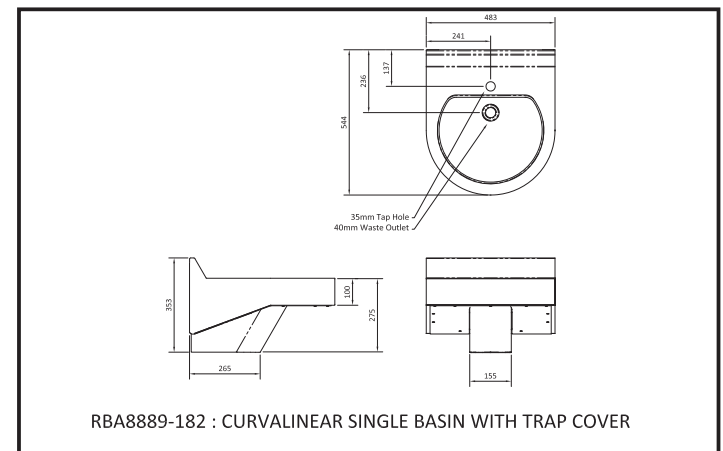
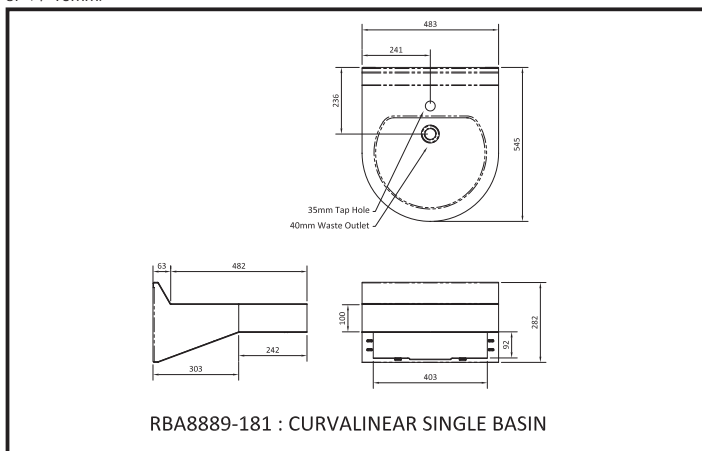
Disabled Compliant when installed with an appropriate tapware (eg. RBA1083-607), and meets all other specified requirements stipulated in the AS1428.1-2009.

Complies with Australian Standard AS/NZS 1730-1996 - Washbasins.

### Installation

Ensure wall construction is suitable to support the unit. Mount unit to wall with S-clip brackets provided and through four fixing holes (two on either side of the internal frame). Fixings screws not furnished. Basin rim is typically mounted 864mm above FFL. Refer disabled code for mounting requirements where basin is for disabled use. Adjust height to suit application if required (ie Disabled or children's use). Refer Installation Instruction for location of fixing points, trap outlet location etc. (A Hardies low level P trap should be used).

**Important:** Installation instructions and current rough-in details should be furnished with each fixture. Do not rough in without certified dimensions. Dimensions are subject to manufacturer's tolerance of +/-10mm.



As improvements in the design and performance of RBA products are continuous, specifications may be subject to change without notice.

The illustrations and descriptions herein are applicable to production as of the date of this Technical Data Sheet. Revised 10/12

© 2012 by RBA Group TD/Model RBA8889-181&RBA8889-182/1012

SYDNEY • MELBOURNE • BRISBANE • PERTH • AUCKLAND

Australia 1300 788 778 • sales@rba.com.au • www.rba.com.au

New Zealand 0800 722 111 • sales@rbagroup.co.nz • www.rbagroup.co.nz