



# WALL-FACED WC PAN FOR THE DISABLED WITH S- OR P-TRAP OUTLET, FRONT OR REAR FIXED



### Materials & Features

Unit may be front or rear fixed. Wall-Faced WC Pan is manufactured from heavy-gauge, type 304 stainless steel. External surface is satin finish. Internal bowl surface is a unique matt satin ultra-smooth finish that is hygienic, easy to clean and resistant to scale build-up. The integral seat is bright polished for hygiene and comfort. Laser-cut, flush-fitting access panels are incorporated in both sides of the unit and held in position by security screws.

**Trap:** Seamless one-piece smooth bore trap with radiused bends. Formed with a minimum 50mm deep water seal.

**Outlet:** 100mm overall P-Trap outlet suitable for a standard pan collar. Alternatively, it may be converted to floor outlet [S-Trap], which will seal inside standard 100mm piping.

**Inlet:** Back inlet, 55mm internal diameter water inlet socket, to accept standard key seal [key seal supplied by others]

**Fixings:** Furnished with concealed floor-fixing plate and 4 x M12x250mm fixing rods for rear fixing. If front fixing is required, front fixing bolts and anchors to be supplied by others. To order tool to suit security screws, quote model # A111-99.

**Seat:** Injection moulded white plastic hinged seat with no lid supplied.

### Performance Standards

Unit has WATERMARK certification from Standards Australia.

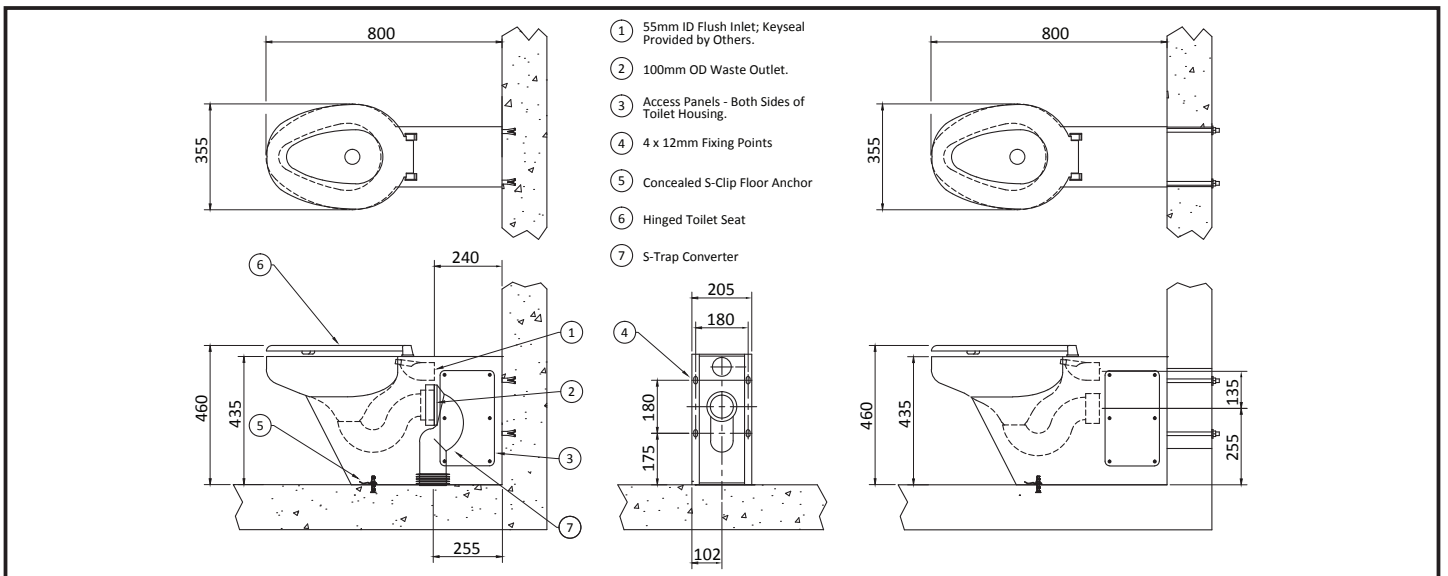
### Designers Note:

RBA product is disabled compliant if it is installed to meet the requirements stipulated in the AS1428.1-2009.

### Installation

Unit may be front or rear fixed. Ensure wall construction is capable of supporting the unit. Unit is fixed to floor with concealed S-clip [fixings for S-clip by others] and fixed to wall with 4 fixing rods through 4 fixing holes [2 on either side of the internal frame]. Suitable for installing with a concealed duct mounted cistern or flush valve [see RBA Group Flush Valve Catalog]. Installation for either rear or front fixing must be in accordance with the requirements of Disabled Code.

**Important:** Installation instructions and current rough-in details should be furnished with each fixture. Do not rough in without certified dimensions. Dimensions are subject to manufacturer's tolerance of +/-10mm.



As improvements in the design and performance of RBA products are continuous, specifications may be subject to change without notice. The illustrations and descriptions herein are applicable to production as of the date of this Technical Data Sheet. Revised 09/13

© 2013 by RBA Group TD/Model RBA8851-428/0913