

Long Drop Waterless Toilet



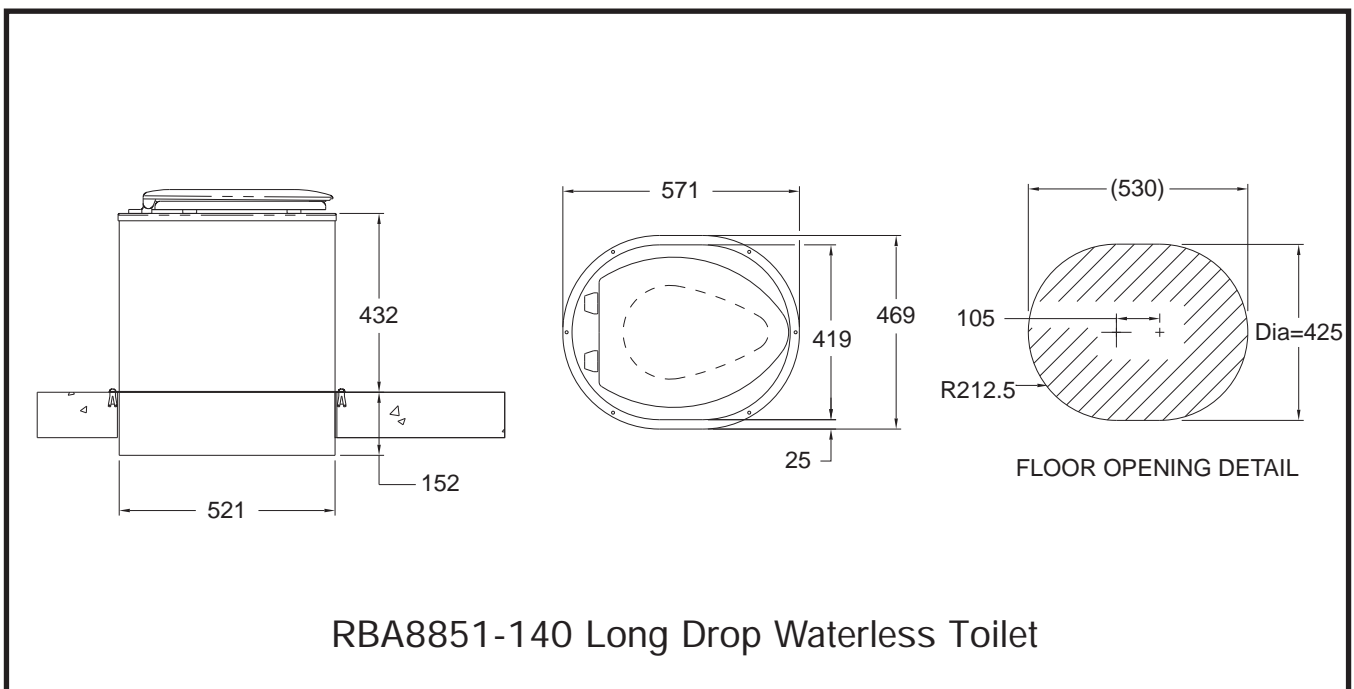
Model RBA8851-140 Long Drop Waterless Toilet

Materials & Features

Unit is recommended for wilderness areas, parks, camps and similar locations where sewer systems are not available. It is designed for installation over vented pits. Design is vandal-resistant and permits easy replacement of similar existing units due to common floor opening.

Unit is fabricated from 1.2mm, type 304 stainless steel with all welded construction. Exposed surfaces are polished to a satin finish. Unit includes a pre-drilled flange at floor for mounting.

Integral Toilet seat is 2.0mm, type 304 stainless steel and includes punching for optional plastic hinged seat (to specify use RBA8186-100)



Important: Installation instructions and current rough-in details should be furnished with each fixture. Do not rough in without certified dimensions. Dimensions are subject to manufacturer's tolerance of +/-10mm.

As improvements in the design and performance of RBA products are continuous, specifications may be subject to change without notice. The illustrations and descriptions herein are applicable to production as of the date of this Technical Data Sheet. Revised 03/12 © 2012 by RBA Group TD/Model RBA8851-140/0312

SYDNEY • MELBOURNE • BRISBANE • PERTH • AUCKLAND

Australia 1300 788 778 • sales@rba.com.au • www.rba.com.au

New Zealand 0800 722 111 • sales@rbagroup.co.nz • www.rbagroup.co.nz