

**BARIATRIC TOILET**



**RBA8851-137 Bariatric Toilet**  
(shown with RBA8186-853 Toilet Seat)

**Materials & Features**

RBA's Bariatric Toilet is fabricated from 1.9mm type 304 stainless steel and is seamless welded construction with internal and external finish in White Enviroglaze. Fixture shall withstand loads up to 910 kg with no measurable deflection and loads up to 2200 kg with no permanent damage. Housing includes side access panels to facilitate installation of fixture.

**Trap:** Seamless one-piece smooth bore trap with radiused bends. Formed with a minimum 50mm deep water seal.

**Outlet:** 100mm P-Trap outlet suitable for a standard pan collar. Alternatively, it may be converted to floor outlet [S-Trap], which will seal inside standard 100mm piping [supplied].

**Inlet:** 55mm ID rear inlet, to accept standard key seal [key seal supplied by others].

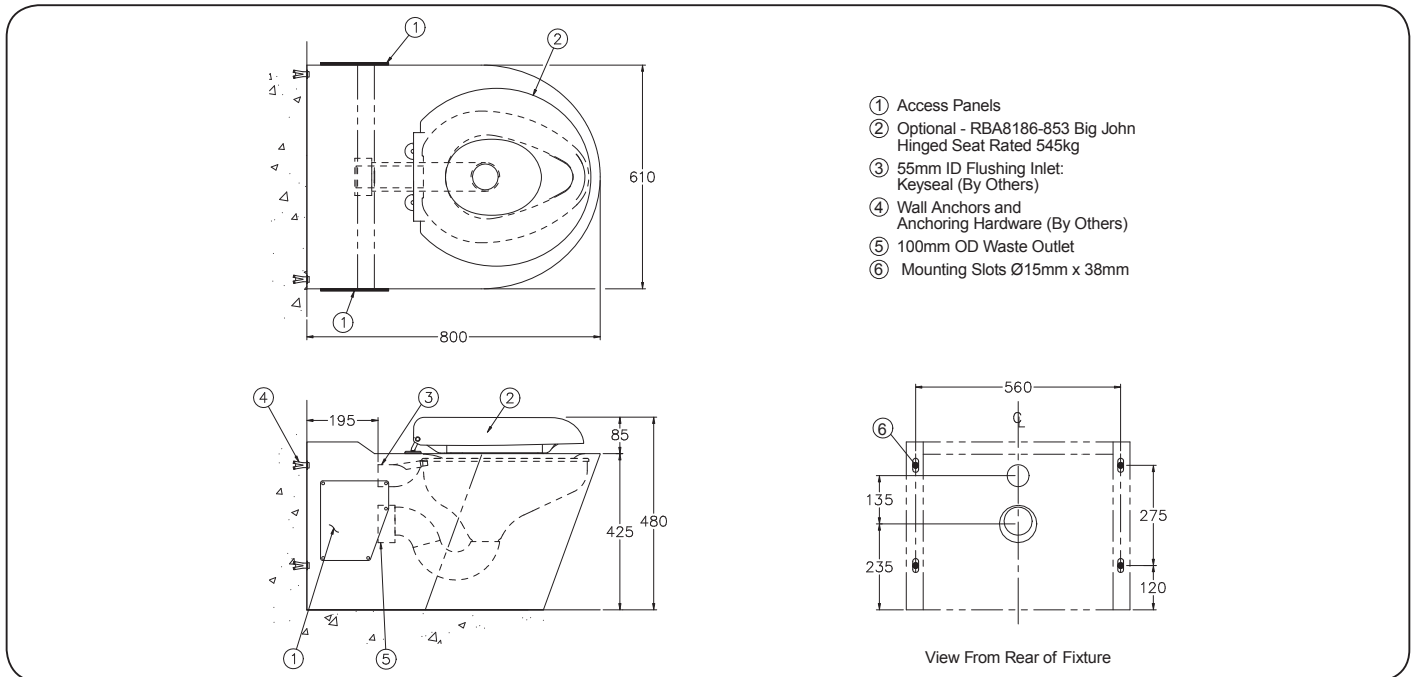
**Available Options**

**RBA8851-137** WC only

**Related Products:**

- RBA8186-853** Big John Premium Toilet Seat
- RBA3001-160** Dual Flush WC Flush Valve
- RBA7100-777-005** Inwall WC Cistern
- RBA4007-112** Bariatric Drop Down Grab Rail, Left Hand
- RBA4007-114** Bariatric Drop Down Grab Rail, Right Hand

**Important:** Installation instructions and current rough-in details should be furnished with each fixture. Do not rough in without certified dimensions. Dimensions are subject to manufacturer's tolerance of +/-10mm.



As improvements in the design and performance of RBA products are continuous, specifications may be subject to change without notice. The illustrations and descriptions herein are applicable to production as of the date of this Technical Data Sheet. Revised 08/14  
 © 2014 by RBA Group TD/Model RBA8851-137/0814