



**CLOSE COUPLED SUITE FOR THE DISABLED
WITH S- OR P-TRAP OUTLET FRONT FIXED**



RBA8847-428 Close Coupled Suite

Materials & Features

Close Coupled Suite is manufactured from heavy-gauge, type 304 stainless steel. External surface is satin finish. Internal bowl surface is a unique matt satin ultra-smooth finish that is hygienic, easy to clean and resistant to scale build-up. The integral seat is bright polished for hygiene and comfort. Laser-cut, flush-fitting access panels are incorporated in both sides of the WC and held in position by security screws.

Trap: Seamless one-piece smooth bore trap with radiused bends. Formed with a minimum 50mm deep water seal.

Outlet: 100mm overall P-Trap outlet suitable for a standard pan collar. Alternatively, it may be converted to floor outlet [S-Trap], which will seal inside standard 100mm piping.

Flushing System: The Close Coupled Suite incorporates a 6/3 Litre cistern with concealed bottom inlet. The cistern cover is one-piece with a non-removable lid, making it highly vandal resistant.

For maintenance details consult separate Installation Instructions sheet.

Fixings: WC Pan is supplied with floor fixing plate [S-Clip]. Cistern cover is supplied with wall fixing plate [S Clip]. Front fixing bolts and anchors to be supplied by others.

Seat: Injection moulded white plastic hinged seat with no lid supplied.

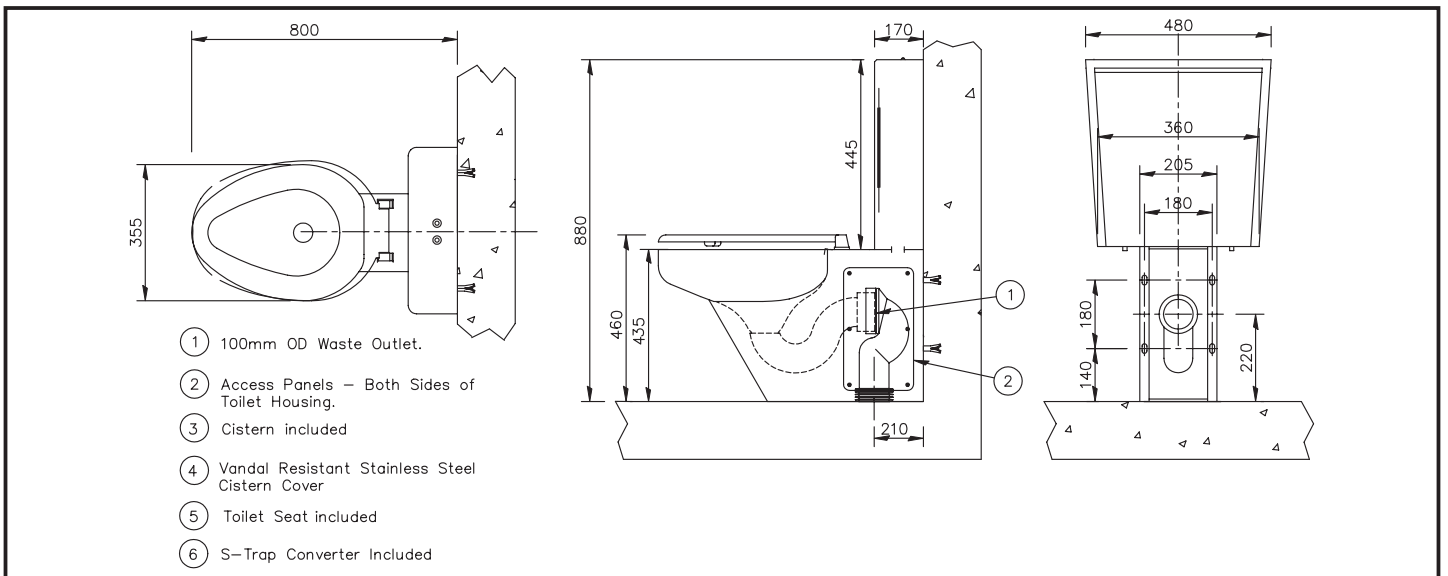
Performance Standards: Unit has WATERMARK certification from Standards Australia.

Designers Note: RBA product is disabled compliant if it is installed to meet the requirements stipulated in the AS1428.1-2009.

Installation

Unit must be front fixed. Ensure wall construction is capable of supporting the unit. WC Pan is fixed to floor with concealed S Clip [fixings for S Clip by others] and fixed to wall with 4 expansion bolts [by others] through 4 fixing holes [2 on either side of the internal frame]. Cistern cover is fixed to wall with concealed S Clip and integral mounting tags [fixings for S clip and mounting tags by others].

Important: Installation instructions and current rough-in details should be furnished with each fixture. Do not rough in without certified dimensions. Dimensions are subject to manufacturer's tolerance of +/-10mm.



As improvements in the design and performance of RBA products are continuous, specifications may be subject to change without notice. The illustrations and descriptions herein are applicable to production as of the date of this Technical Data Sheet. Revised 09/13

© 2013 by RBA Group TD/Model RBA8847-428/0913