



rba

## Standard seats are too small and too flimsy.

The Big John Toilet Seat is great for everyone. It is ideal for people who are larger framed and the Big and Tall / Plus Size consumer. It is perfect for senior citizens and the physically impaired as well as anyone who just wants a more comfortable toilet seat.

Stylish, ergonomic design has a more comfortable opening and a luxuriously contoured sitting surface that is roomier than any other toilet seat on the market.

Engineered tough for long lasting durability and made from the highest-grade plastic that is both stain and chemical resistant.

- **50mm Higher than Standard Toilet Seat**
- Perfect for Hospitals, Health Care Facilities and Public Restrooms
- Fits on Most Standard Toilets, Round or Elongated
- Bariatric Suitable

## Rated over 540kg!

Stabilizing "Synthetic Rubber Bumpers" that grip the porcelain, keeping the seat from shifting while providing excellent transfer assistance.

Durable Stainless Steel Hinges that provide unbreakable strength where others fail.



# Built For Comfort

The Big John Toilet Seat introduces a new era of stability, comfort and safety.

485mm wide from Side to Side

GENUINE  
**BIG JOHN**  
TOILET SEAT™

SYDNEY • MELBOURNE • BRISBANE • PERTH • AUCKLAND

Australia 1300 788 778 • sales@rba.com.au • www.rba.com.au

New Zealand 0800 722 111 • sales@rbagroup.co.nz • www.rbagroup.co.nz

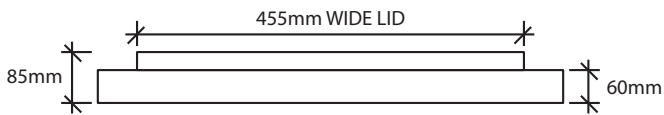
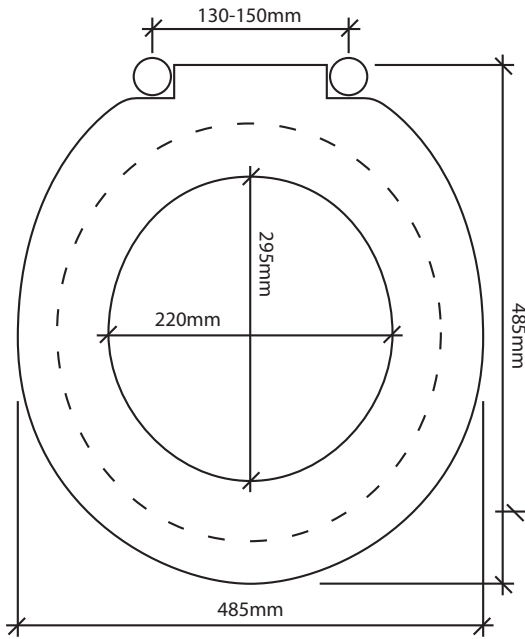


MADE IN THE U.S.A.

**RBA8186-853 Bariatric Toilet Seat**

**PREMIUM**

**PLAN VIEW**

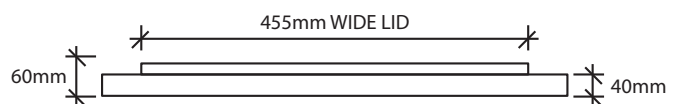
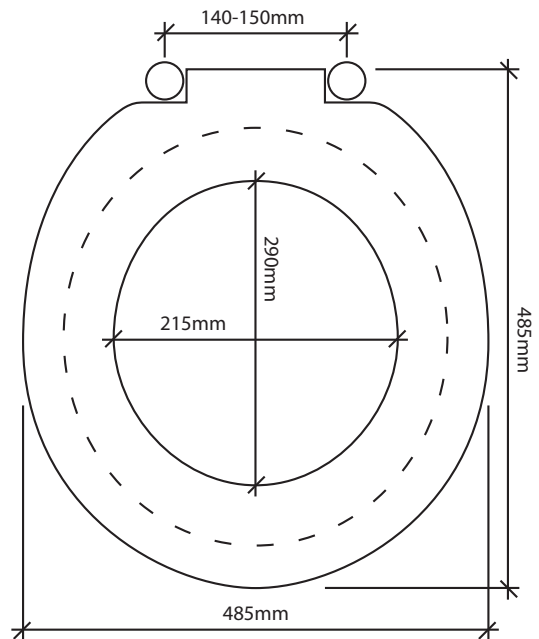


**ELEVATION VIEW**

**RBA8186-623 Bariatric Toilet Seat**

**ECONOMY**

**PLAN VIEW**



**ELEVATION VIEW**



**rba**

Note: Because of the size of this injection moulded seat and lid, from time to time there may be formlines evident.