



ANTI-LIGATURE TOILET ROLL HOLDER



RBA8141-100 Front Fixed



RBA8141-144 Rear Fixed

Materials

Constructed of heavy gauge, type 304, 2mm stainless steel with satin finish. Designed to support the weight of a single toilet paper roll, but auto-release hooks snap down if excessively loaded.

Installation

Ensure wall construction is suitable to support the unit.

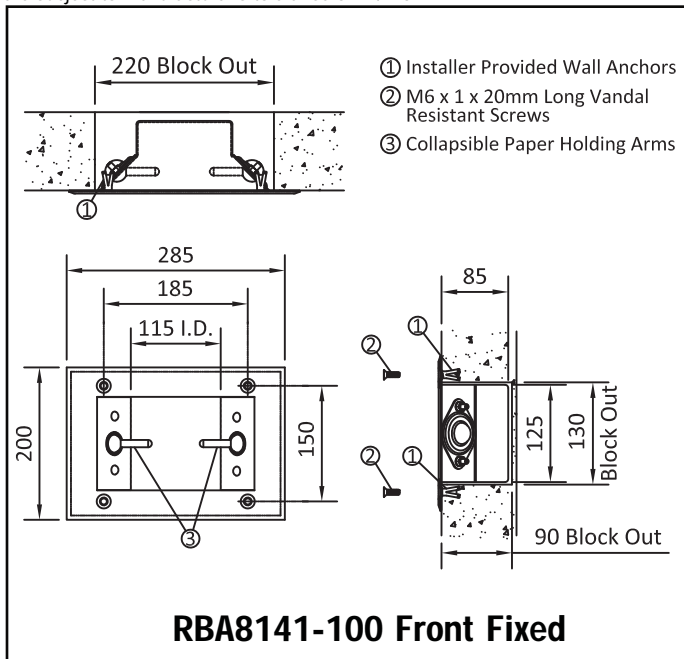
RBA8141-100: Countersunk drill-holes to accommodate wall fixings. Furnished with tamper-resistant screws. For front fixing only.

RBA8141-144: Furnished with welded nuts on back, coated heavy steel back-plate and threaded rods to pull unit snugly to wall. For rear fixing only.

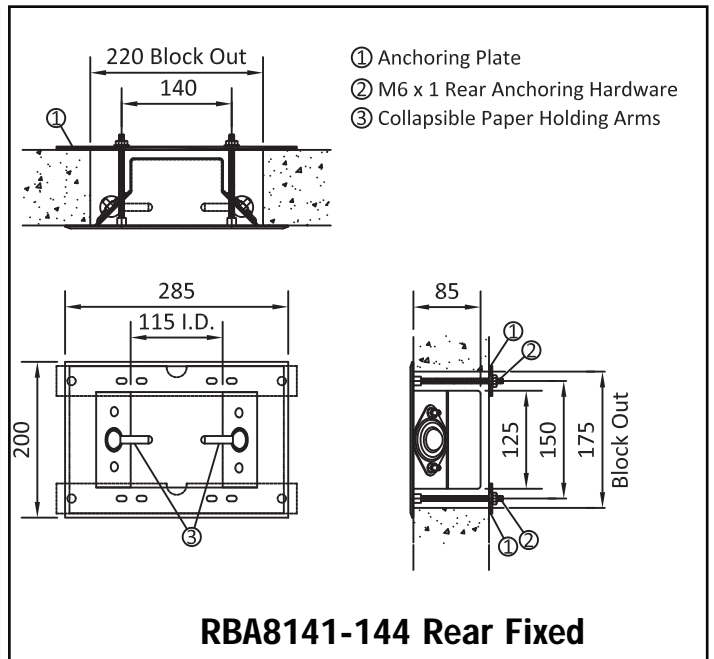
Designers Note

Each auto-release holder is tested to automatically release under weight of between 4.5 & 18.5 kgs

Important: Installation instructions and current rough-in details should be furnished with each fixture. Do not rough in without certified dimensions. Dimensions are subject to manufacturer's tolerance of +/-10mm.



RBA8141-100 Front Fixed



RBA8141-144 Rear Fixed



As improvements in the design and performance of RBA products are continuous, specifications may be Subject to change without notice. The illustrations and descriptions herein are applicable to production as of the date of this Technical Data Sheet. Revised 04/12

© 2012 by RBA Group TD/Model RBA8141-100 & RBA8141-144/0412