

VANDAL RESISTANT, ANTI-LIGATURE RECESSED TOILET ROLL HOLDERS



RBA8140-144 Recessed Toilet Roll Holder [Rear Fixed]



RBA8140-100 Recessed Toilet Roll Holder [Front Fixed]

Materials

Constructed of heavy gauge, type 304, 2mm stainless steel with satin finish. One-piece seamless construction with bevelled flange to form tight fit between rim and wall.

Installation

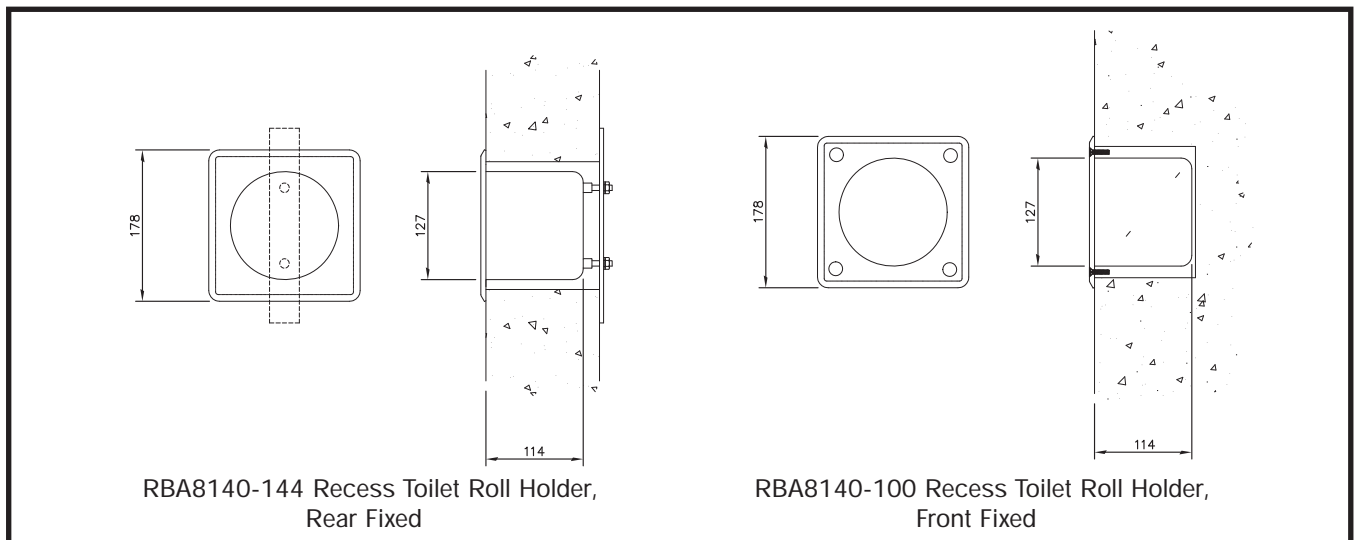
Ensure wall construction is suitable to support the unit. Should be positioned in a suitable position to avoid contamination when toilet bowl is used as a urinal. Provide rough wall opening 133mm [Dia]

RBA8140-144: Furnished with welded nuts on back, coated heavy steel back-plate and threaded rods to pull unit snug/tight to wall. For rear fixing only

RBA8140-100: Countersunk drill-holes to accommodate wall fixings. Furnished with tamper-resistant screws. For front fixing only.

RBA8140-144	Rough Wall Opening - 133mm Diameter
RBA8140-100	Rough Wall Opening - 133mm Diameter

Important: Installation instructions and current rough-in details should be furnished with each fixture. Do not rough in without certified dimensions. Dimensions are subject to manufacturer's tolerance of +/-10mm.



RBA8140-144 Recess Toilet Roll Holder,
Rear Fixed

RBA8140-100 Recess Toilet Roll Holder,
Front Fixed



As improvements in the design and performance of RBA products are continuous, specifications may be subject to change without notice. The illustrations and descriptions herein are applicable to production as of the date of this Technical Data Sheet. Revised 08/12

© 2012 by RBA Group TD/Model RBA8140-Series/0812