

**RECESSED SOAP DISHES**



**PICTURED: RBA8132-144 RECESSED SOAP DISH [REAR FIXED]  
ALSO AVAILABLE: RBA8132-100 RECESSED SOAP DISH [FRONT FIXED]**

**Materials & Features**

Constructed of heavy gauge, type 304 stainless steel with satin finish. One-piece seamless construction with bevelled flange to form tight fit between rim and wall. Raised dimples to provide air circulation around soap bar, keeping it dry.

**Installation**

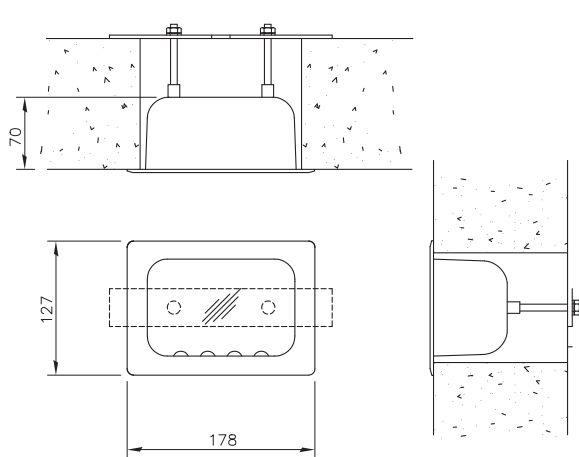
Ensure wall construction is suitable to support the unit.

A1832: Furnished with welded nuts on back, coated heavy steel back-plate and threaded rods to pull unit snugly to wall. For rear fixing only

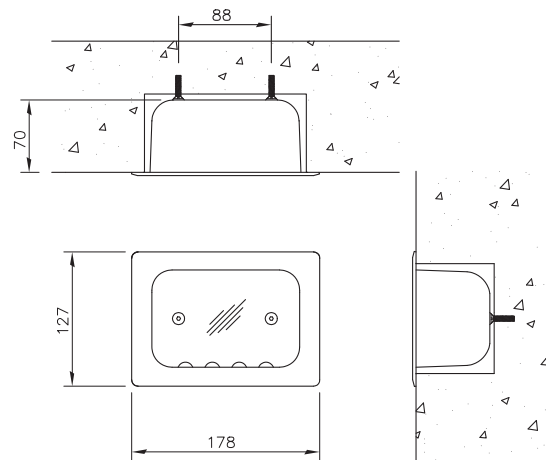
A1832-FA: Drilled to accommodate wall fixings. Wall fixings to be supplied by others. For front fixing only

Rough Wall Opening - 149mm [W], 98mm [H], 76mm minimum recessed depth

**Important:** Installation instructions and current rough-in details should be furnished with each fixture. Do not rough in without certified dimensions. Dimensions are subject to manufacturer's tolerance of +/-10mm.



RBA8132-144 Recessed Soap Dish  
– Rear Fixed



RBA8132-100 Recessed Soap Dish  
– Front Fixed

As improvements in the design and performance of RBA products are continuous, specifications may be subject to change without notice. The illustrations and descriptions herein are applicable to production as of the date of this Technical Data Sheet. Revised 07/11 Printed in Australia © 2011 by RBA Group TD/Model RBA8132-100+RBA8132-144/0711