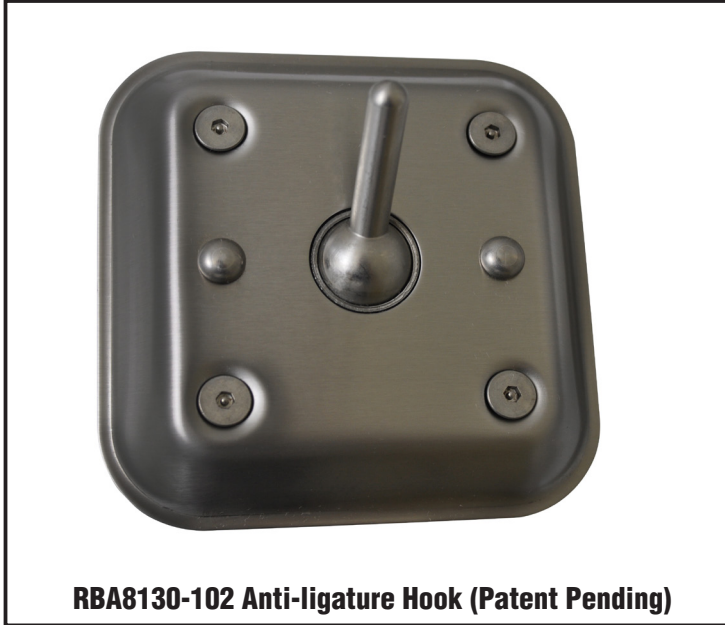


VANDAL RESISTANT ANTI-LIGATURE SURFACE MOUNTED HOOK



Materials

Constructed of heavy gauge, type 304, 2mm stainless steel with satin finish. Designed to support the weight of clothing, towels, etc but auto-release hooks snap down if excessively loaded.

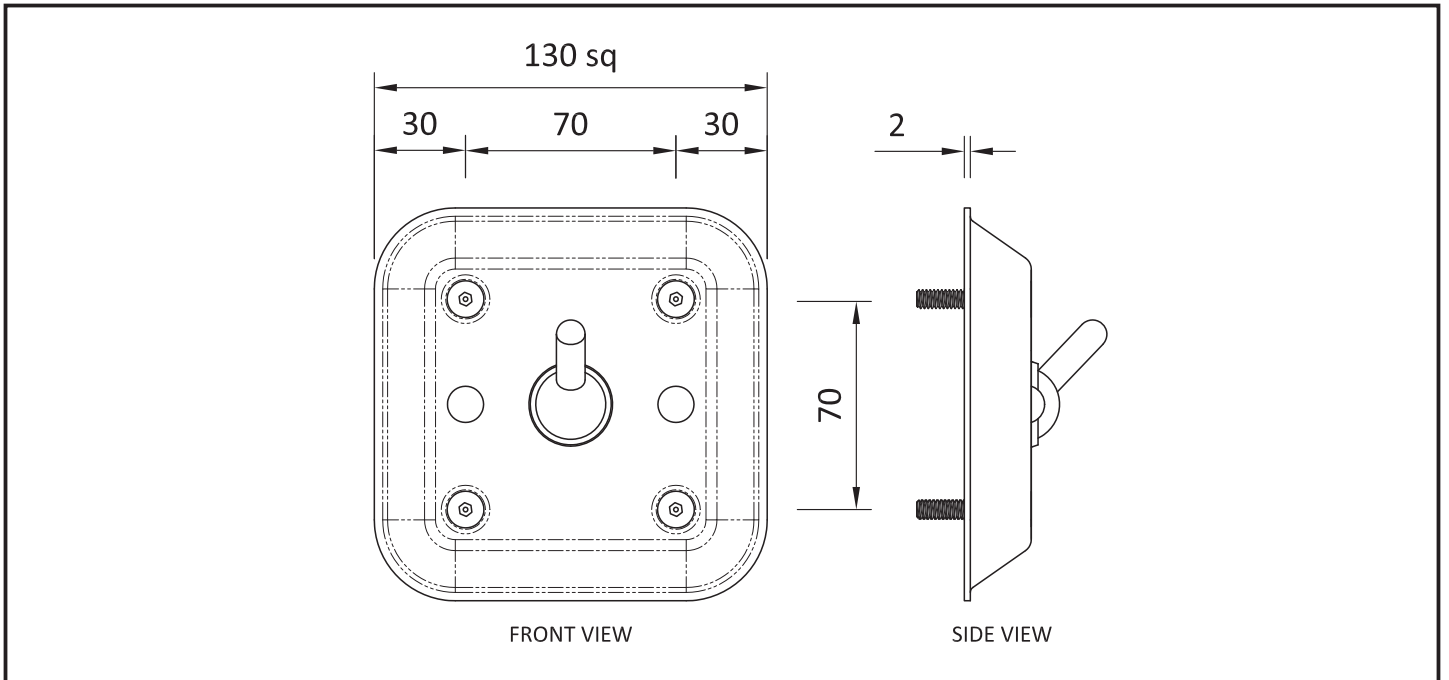
Installation

Ensure wall construction is suitable to support the unit. Countersunk drill-holes to accommodate wall fixings. Furnished with tamper-resistant screws. For front fixing only.

Designers Note

Auto release hooks are tested to hold a minimum of 9 kg and fail at 20 kg or greater.

Important: Installation instructions and current rough-in details should be furnished with each fixture. Do not rough in without certified dimensions. Dimensions are subject to manufacturer's tolerance of +/-10mm.



As improvements in the design and performance of RBA products are continuous, specifications may be subject to change without notice.

The illustrations and descriptions herein are applicable to production as of the date of this Technical Data Sheet.

Revised 05/13

© 2013 by RBA Group

TD/Model RBA8130-102/0513

SYDNEY • MELBOURNE • BRISBANE • PERTH • AUCKLAND

Australia 1300 788 778 • sales@rba.com.au • www.rba.com.au

New Zealand 0800 722 111 • sales@rbagroup.co.nz • www.rbagroup.co.nz