

# STAINLESS STEEL BACKREST



RBA4150-111 Backrest

### Description

Unit is site adjustable upon installation to ensure accurate location & angle of backrest. Compliant with 1100N test.

### Materials

**Bar:** Type-304 Stainless Steel tubing with satin finish, 30mm Dia.

**Concealed Mounting Flanges:** Cast from type-304 Stainless Steel, 4mm thick, with 3 holes for attachment to wall.

**Bracket Cover:** Type-304 Stainless Steel, locks over mounting bracket to conceal mounting screws.

**Fixings:** By others.

### Available Models:

- RBA4150-101 White polyurethane, 40mm thick Backrest
- RBA4150-111 Stainless Steel Backrest
- RBA4150-202 White polyurethane, 40mm thick Bent Arm Backrest

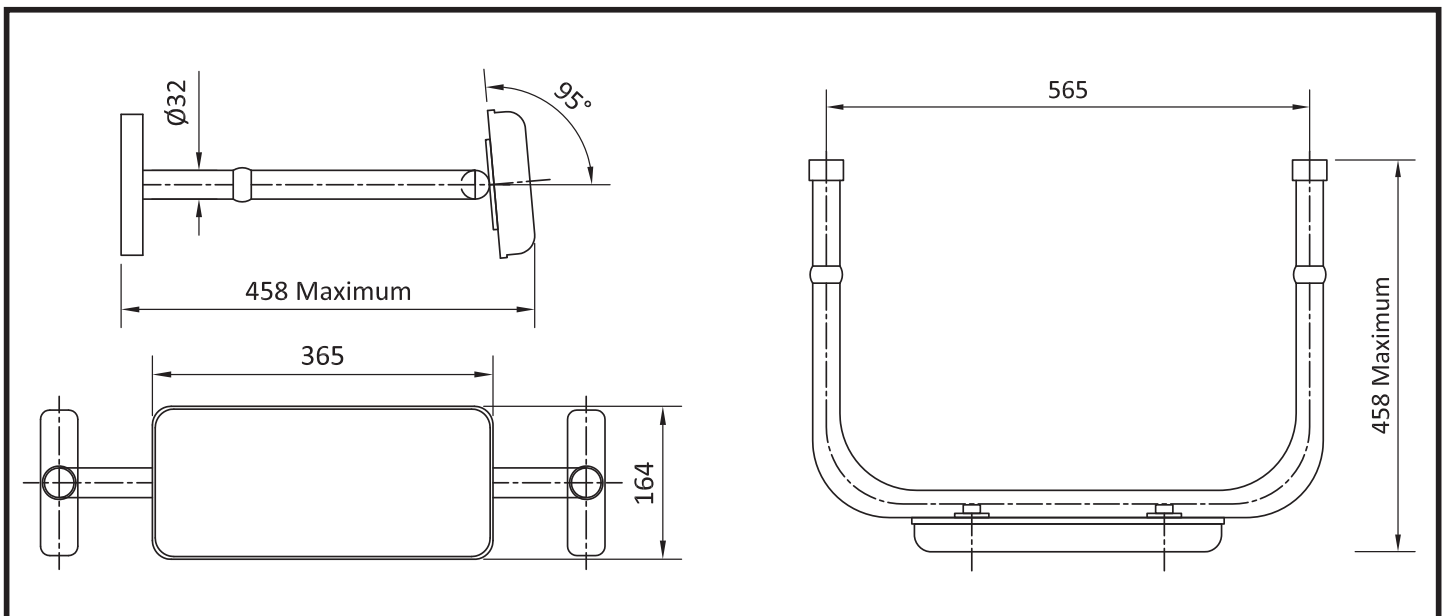
### Installation

Warning: Backrests are no stronger than the anchors or walls to which they are attached and, therefore, must be firmly secured in order to support the loads for which they are intended. Refer Installation Instructions for location of fixing points, method of attachment, etc.

### Designers Note

RBA product is disabled compliant if it is installed to meet the requirements stipulated in AS1428.1-2009/Amdt 1-2010.

**Important:** Installation instructions and current rough-in details should be furnished with each fixture. Do not rough in without certified dimensions. Dimensions are subject to manufacturer's tolerance of +/-10mm.



As improvements in the design and performance of RBA products are continuous, specifications may be subject to change without notice.

The illustrations and descriptions herein are applicable to production as of the date of this Technical Data Sheet. Revised 07/14

© 2013 by RBA Group TD/Model RBA4150-111/0113