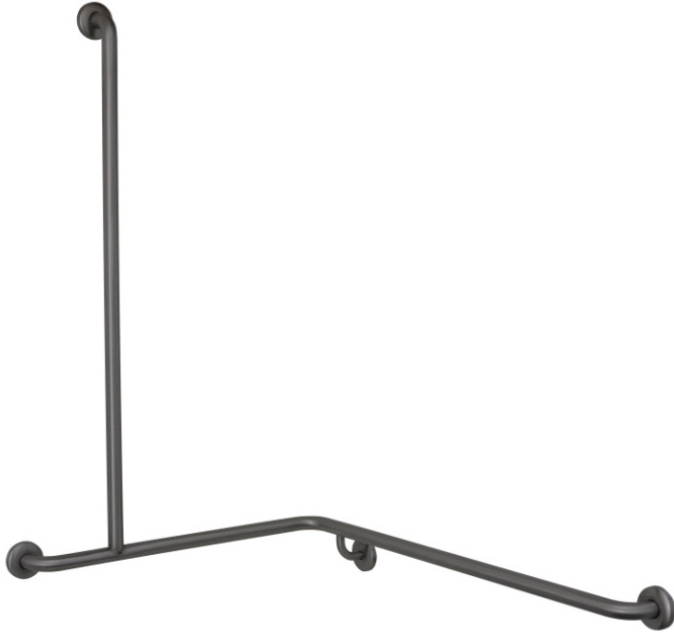




2 WALL GRAB BAR SHOWER RAIL



RBA4110-751 (shown)
RBA4110-752 (opposite hand)

Description

Stainless Steel 2 wall Grab Bar Shower Rail is designed to meet some aspects of AS1428.1-2009, but is intended for installations where a freestanding shower chair is selected.

Materials

Bar: Type-304 Stainless Steel tubing with satin finish, 32mm Dia.

Concealed Mounting Flanges: Type- 304 Stainless Steel with multiple holes for attachment to wall.

Flange Cover: Type-304 Stainless Steel, clips over mounting flange to conceal fixing points.

Fixings: By others.

Available Options

RBA4110-751 Rail only, as pictured.

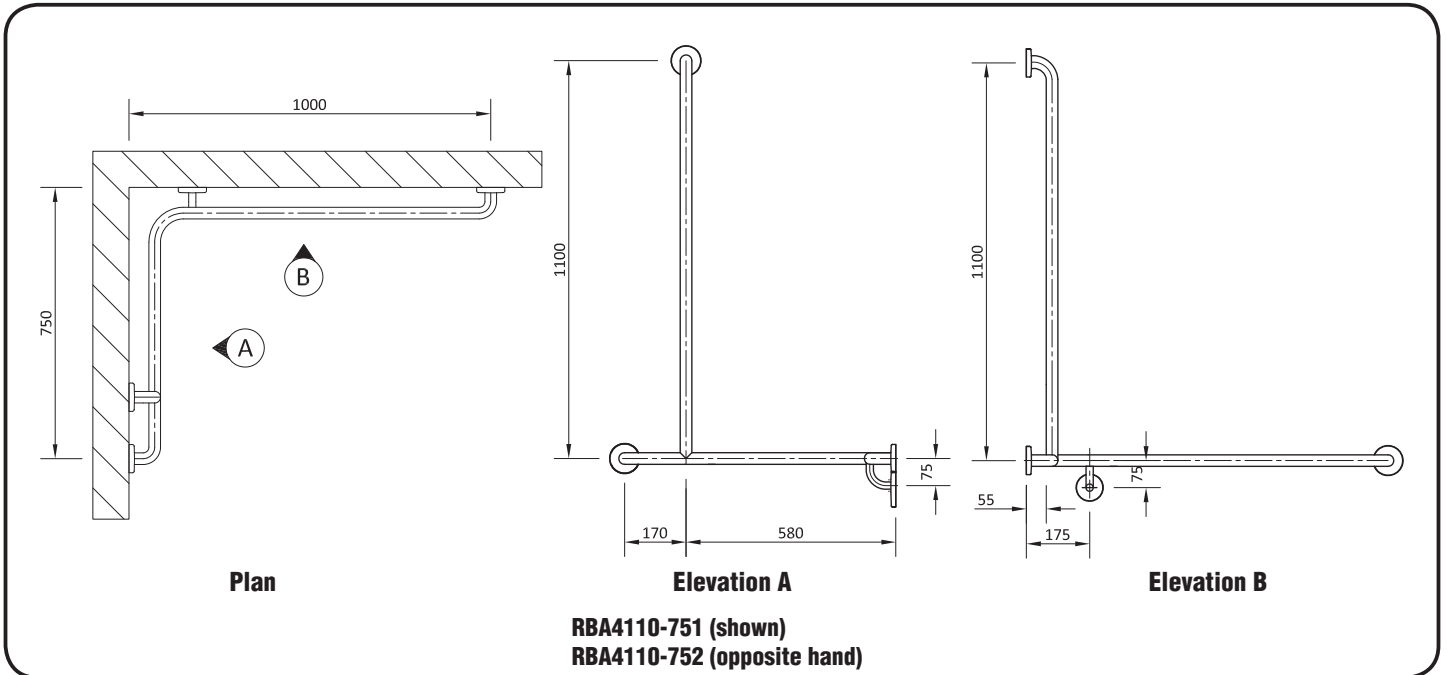
RBA4110-752 Opposite hand.

For additional items, use

RBA4110-999-003 Includes Slider, Handset, Hose + Shower Mixer.

RBA4110-999-002 Includes Slider, Handset + Hose

Important: Installation instructions and current rough-in details should be furnished with each fixture. Do not rough in without certified dimensions. Dimensions are subject to manufacturer's tolerance of +/-10mm.



Global-Mark.com.au®

As improvements in the design and performance of RBA products are continuous, specifications may be subject to change without notice.

The illustrations and descriptions herein are applicable to production as of the date of this Technical Data Sheet.

Revised 07/14

© 2014 by RBA Group

TD/Model RBA4110-751/0714

SYDNEY • MELBOURNE • BRISBANE • PERTH • AUCKLAND

Australia 1300 788 778 • sales@rba.com.au • www.rba.com.au

New Zealand 0800 722 111 • sales@rbagroup.co.nz • www.rbagroup.co.nz