



**BARIATRIC DROP DOWN GRAB RAIL**



**RBA4007-112 (shown)**

**Description**

Suitable for Bariatric assistance. Rail can be folded up against the wall, simple one-hand operation, to allow easy access to the WC. Auto-Hold device retains the rail in place when returned to the upright position. Includes lockable support leg with height adjustable slip resistant footing. Designed to suit lateral loads (SWL) up to 160kg and downwards loads (SWL) of up to 300kg. Specifiers should select RH and/or LH options. Nurse call and/or toilet roll holder are welded to the main body of the rail and cannot be moved.

**Materials**

**Bar:** Type-304 Stainless Steel satin finish, 38mm Dia.

**Mounting plate:** 5mm Stainless Steel

**Fixings:** By others.

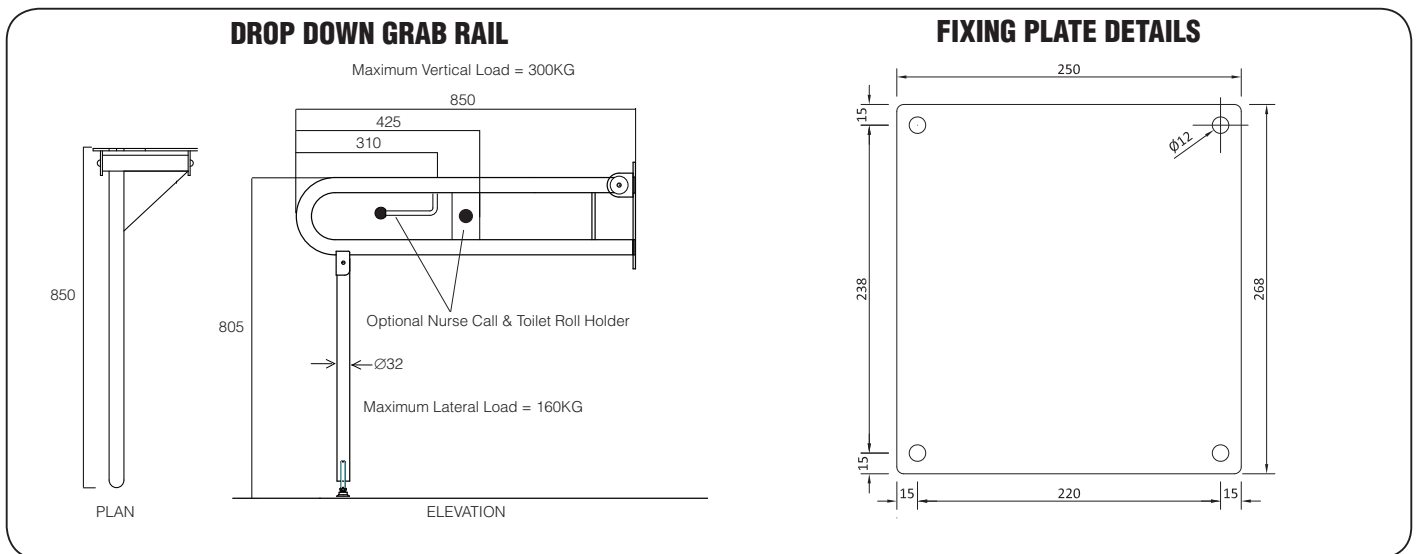
**Installation**

Warning: Grab Rails are no stronger than the anchors or walls to which they are attached and, therefore, must be firmly secured in order to support the loads for which they are intended.

**Available Models:**

- RBA4007-112 Drop Down Rail for Bariatric, Left Hand
- RBA4007-113 Drop Down Rail for Bariatric, including Toilet Roll Holder, Left Hand
- RBA4007-114 Drop Down Rail for Bariatric, Right Hand
- RBA4007-115 Drop Down Rail for Bariatric, including Toilet Roll Holder, Right Hand
- RBA4007-116 Drop Down Rail for Bariatric, including Nurse Call Button (Coms by Others), Left Hand
- RBA4007-117 Drop Down Rail for Bariatric, including Nurse Call Button (Coms by Others), Right Hand

**Important:** Installation instructions and current rough-in details should be furnished with each fixture. Do not rough in without certified dimensions. Dimensions are subject to manufacturer's tolerance of +/-10mm.



As improvements in the design and performance of RBA products are continuous, specifications may be subject to change without notice. The illustrations and descriptions herein are applicable to production as of the date of this Technical Data Sheet. Revised 07/14 © 2014 by RBA Group TD/Model RBA4000-012/0714