



rba

'BENEFIT' SELF CLOSING TAP



RBA1010 'BENEFIT' SELF CLOSING TAP

Special Features

- Self Cleaning Mechanism
- Water Saving
- Easy to Operate
- Low Maintenance
- Easy to Install

Description

Self-closing upright pillar tap is designed for multiple Accessible applications [offices, etc]. Cast from DZR brass, then chrome plated to a polished finish single connection, valve will deliver cold or pre mixed water, single temperature only.

Unique looped handle is designed to avoid the need for grasping to activate. Also eliminates potential for eye injury in the case of an accidental fall.

Designers Note:

1. Requires only 5N to operate at 400kPa.
2. Not suitable for vandal-prone areas. For vandal resistance, use RBA1015 Series.
3. RBA product is disabled compliant if it is installed on an appropriate basin (eg. Basin RBA8889 Series) and meets the requirements stipulated in the AS1428.1-2009.

Hydraulic Requirements at Each Tap

Inlet: 1/2" BSP (G1/2")
 Operating pressure: 200 – 500 kPa
 Flow Time: 4-10 seconds (non-adjustable)
 Maximum Temp.: 55° C
 Flow Rate: 5.5L/8L per minute
 Warranty: 2 Years from purchase

Construction

DZR brass construction with polished chrome finish.

Operation

Tap is activated by depressing the lever, flow will cease when preset time is achieved.

Available Models

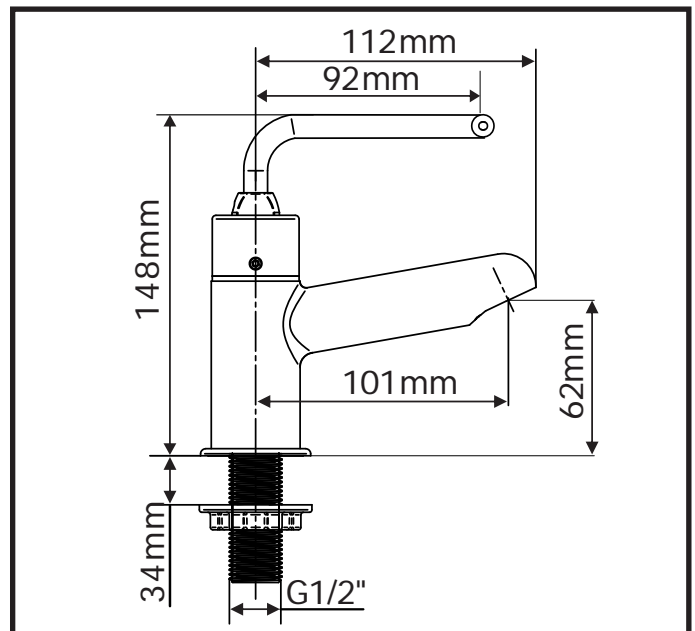
RBA1010-600 6 Star Self Closing Push Tap - Polished

RBA1010-400 4 Star Self Closing Push Tap - Polished

Optional Extras

RBA1083-999-009 Heavy Duty Brass Locknut (please specify in addition to tap when installing in vandal prone areas)

Important: Installation instructions and current rough-in details should be furnished with each fixture. Do not rough in without certified dimensions. Dimensions are subject to manufacturer's tolerance of +/-10mm.



As improvements in the design and performance of RBA products are continuous, specifications may be subject to change without notice. The illustrations and descriptions herein are applicable to production as of the date of this Technical Data Sheet. Revised 08/12

© 2012 by RBA Group TD/Model RBA1010-Series/0812

SYDNEY • MELBOURNE • BRISBANE • PERTH • AUCKLAND

Australia 1300 788 778 • sales@rba.com.au • www.rba.com.au

New Zealand 0800 722 111 • sales@rbagroup.co.nz • www.rbagroup.co.nz