



INSTALLATION INSTRUCTIONS

RBA8889-Series

Includes models:

RBA8889-181	RBA8889-182 (with Trap Cover)
RBA8889-281	RBA8889-282 (with Trap Cover)
RBA8889-381	RBA8889-382 (with Trap Cover)
RBA8889-481	RBA8889-482 (with Trap Cover)



Image shows RBA8889-186

INSTALLATION

Components Supplied:

S/S Curvalinear Basin
S/S Trap Cover (If ordered)
Torx Security Bit
Fixing "S" Clip
40mm Waste Outlet

Components Supplied By Others:

40mm Iplex LLP trap
Wall fixings
Taps, pipe & fittings

Rough In:

Water should be terminated with a mini-cock in the locations shown in Fig 1. Position for waste outlet should be as shown, allowing for a 40mm Iplex LLP trap, using either copper or uPVC. If fixing to a timber stud wall, place noggings between the studs in the appropriate positions, for fixing the basin. Ensure that the wall construction is sufficient to support the basin under load. NOTE: Basin is compliant with AS 1428.1-2009 when installed as per the manufacturers instructions and used with similarly compliant tapware e.g. RBA1083-607.

Installation:

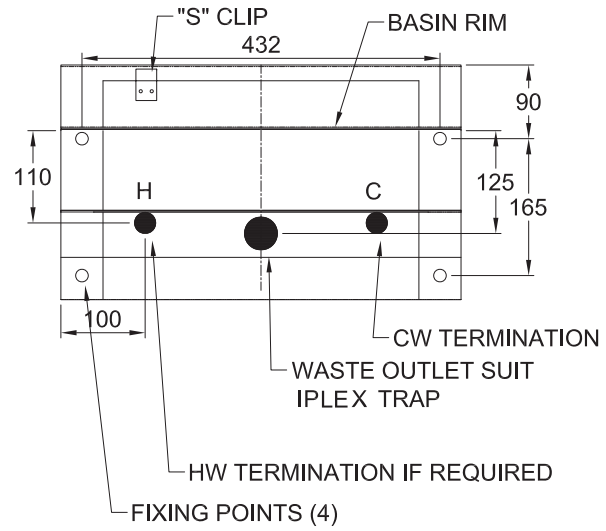
1. Check Architects drawings prior to installation for mounting locations and details.
2. Fix the "S" clip to the wall using appropriate wall anchors provided by others, such that the basin finishes at a height of 864mm from finished floor, or at a height determined by the architect or construction manager, and consistent with authority requirements.
3. With the trap cover removed (if supplied), support the unit on the "S" clip, check for height and level, and mark the fixing points for drilling.
4. Drill the wall, place fixings and secure the basin to the wall, once again ensuring the unit is level and in the correct location.
5. Install the waste outlet, and trap by others, make the necessary water connections.
6. Check for leaks and refit the trap cover (if supplied). It is considered good practice to lubricate s/s screws with Nickel Anti-seize lubricant to prevent screws locking.

Parts:

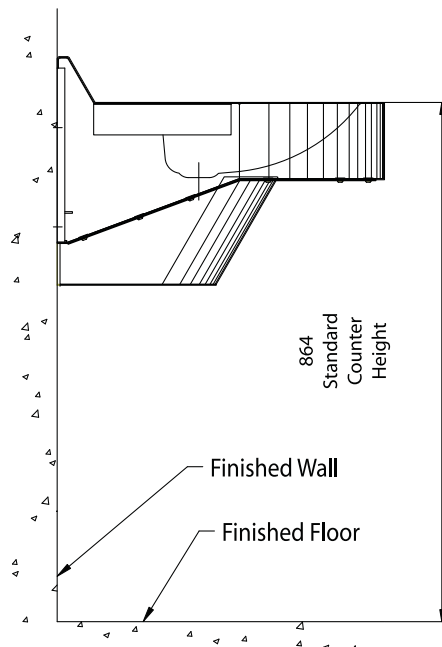
RBA8001-000-003
RBA8002-000-004
RBA8889-999-002
RBA1083-607

Torx 25 security bit
"S" clip
Trap Cover
Self-closing Tap, satin stainless steel

INSTALLATION

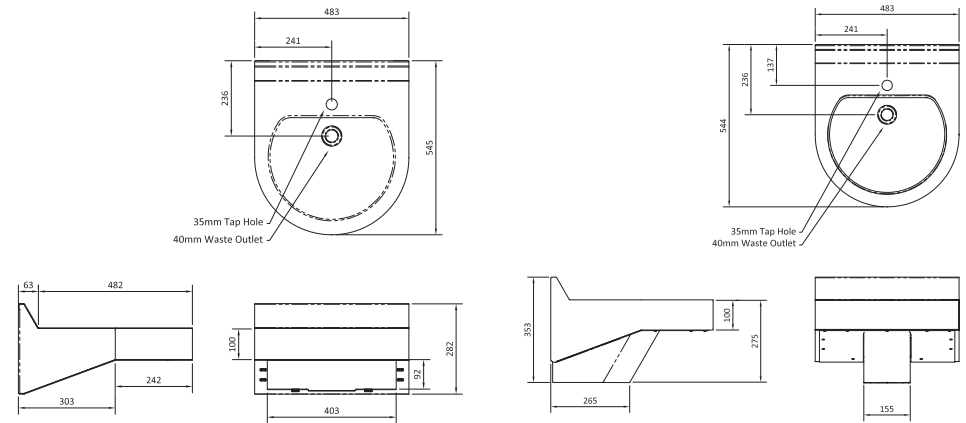


REAR VIEW
FIG.1



SIDE VIEW

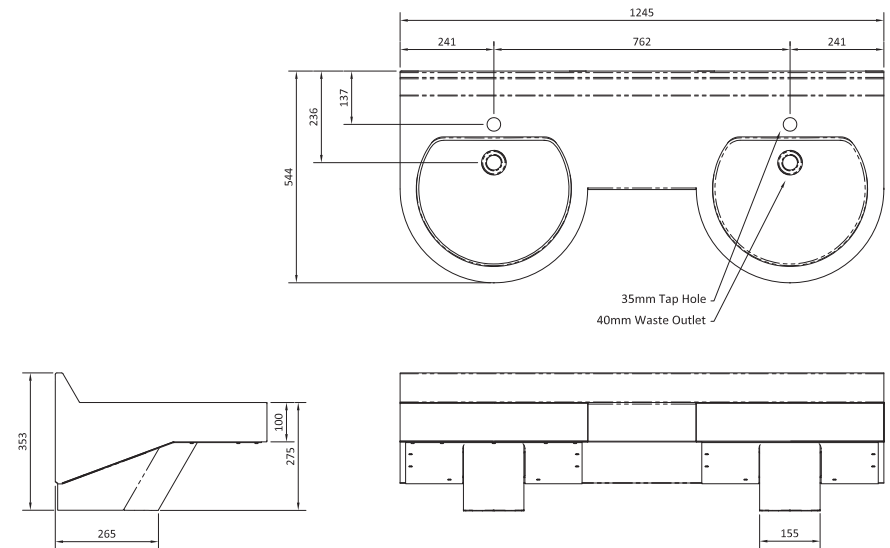
DIMENSIONS - RBA8889-181/RBA8889-182



RBA8889-181:
Curvilinear Single Basin

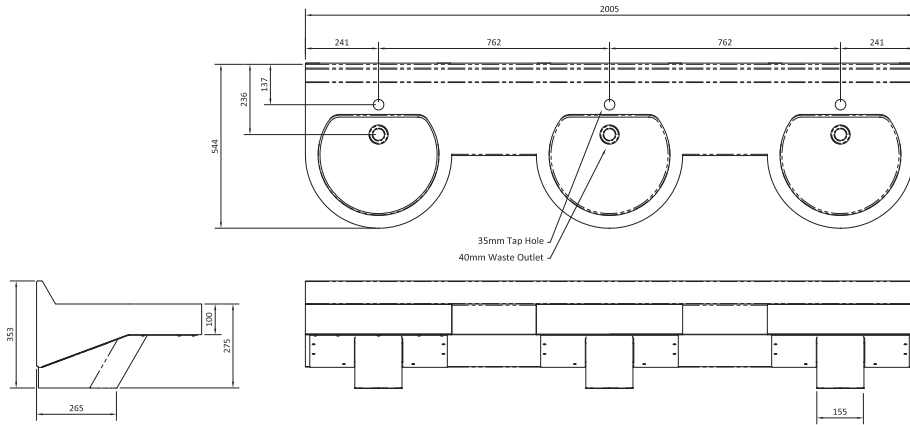
RBA8889-182:
Curvilinear Single Basin With Trap
Cover

DIMENSIONS - RBA8889-281/RBA8889-282



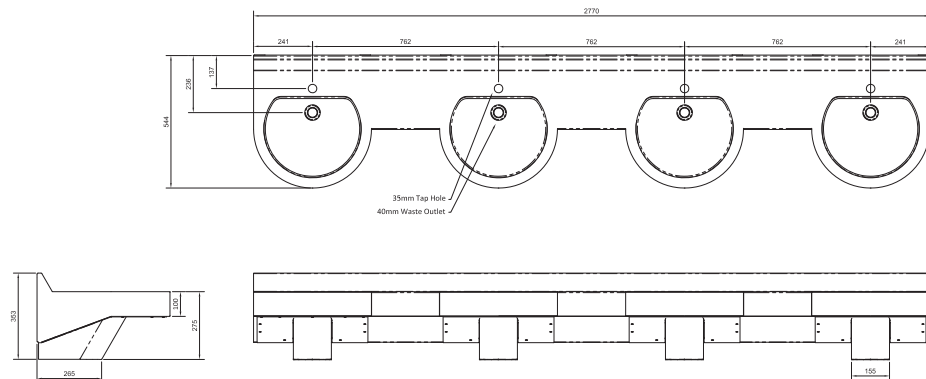
RBA8889-282: Curvilinear Double Basin With Trap Cover

DIMENSIONS - RBA8889-381/RBA8889-382



RBA8889-382: Curvilinear Triple With Trap Cover

DIMENSIONS - RBA8889-481/RBA8889-482



RBA8889-482: Curvilinear Quad With Trap Cover

EFFECTIVE WAYS TO CLEAN STAINLESS STEEL

Condition	Cleaning Agent	Procedure
Routine Cleaning	Liquid soap or detergent	Wipe on with soft cloth or sponge
	Water-soluble household cleaners, diluted as recommended on label	Spray or wipe on with soft cloth or sponge
Spots, fingerprints	Water-soluble household cleaners, full strength	Spray or wipe on, rub spots with soft cloth or sponge
	Liquid or cream metal polish made for stainless steel, chrome, copper or brass	As recommended by the manufacturer
Stubborn spots, atmospheric discoloration	Liquid or cream metal polish made for stainless steel, chrome, copper or brass	As recommended by the manufacturer
	Cleaner/degreaser based on butyl cellosolve	As recommended by manufacturer

EFFECTIVE WAYS TO CLEAN STAINLESS STEEL *continued.*

Condition	Cleaning Agent	Procedure
Mineral deposits or scale from hard water	Commercial solvents for lime, based on phosphoric and acetic acids 5% acetic acid (white vinegar)	Apply liberally, allow to stand for a few minutes, scrub with coarse toweling or soft bristle brush in direction of grain, rinse well with water
“Rust” spots (corrosion from contact with chlorine bleach or hydrochloric or muriatic)	Appropriate overall cleaner as listed above, plus 150/180 grit emery paper, 3M Scotch Brite pad #7447, fine grade or equivalent	Clean surface as above, then rub stained area lightly with emery paper, polish with Scotch Brite pad Rub only with the grain of satin finishes... do not use on bright polished surface

Always:

- Scrub and polish with the grain of satin finishes
- Remove residue of any cleaning products with water and wipe dry with clean cloth or paper

Never:

Allow products containing chlorine bleach, hydrochloric or muriatic acid to come in contact with stainless steel....these are frequently found in toilet bowl and tile cleansers and in abrasive scrubbing powders.

- Use steel wool which can leave behind fine particles that will rust on the surface.
- Use petroleum based solvents which will leave an oily residue
- Use any abrasives on stainless steel that is bright polished or has been given a bronzetone or brass finish.

Local environmental conditions and pre-treatment of the stainless steel may effect results. Care should be taken when polishing to ensure a match in finish.

NOTES



For further information, contact the nearest RBA Group office:
SYDNEY • MELBOURNE • BRISBANE • PERTH • AUCKLAND
Australia 1300 788 778 | www.rba.com.au
New Zealand 0800 722 111 | www.rbagroup.co.nz

