

# NOTES

---



---



---



---



---



---



---



---



---



---



---



---



---



---



---



---



---



## INSTALLATION INSTRUCTIONS

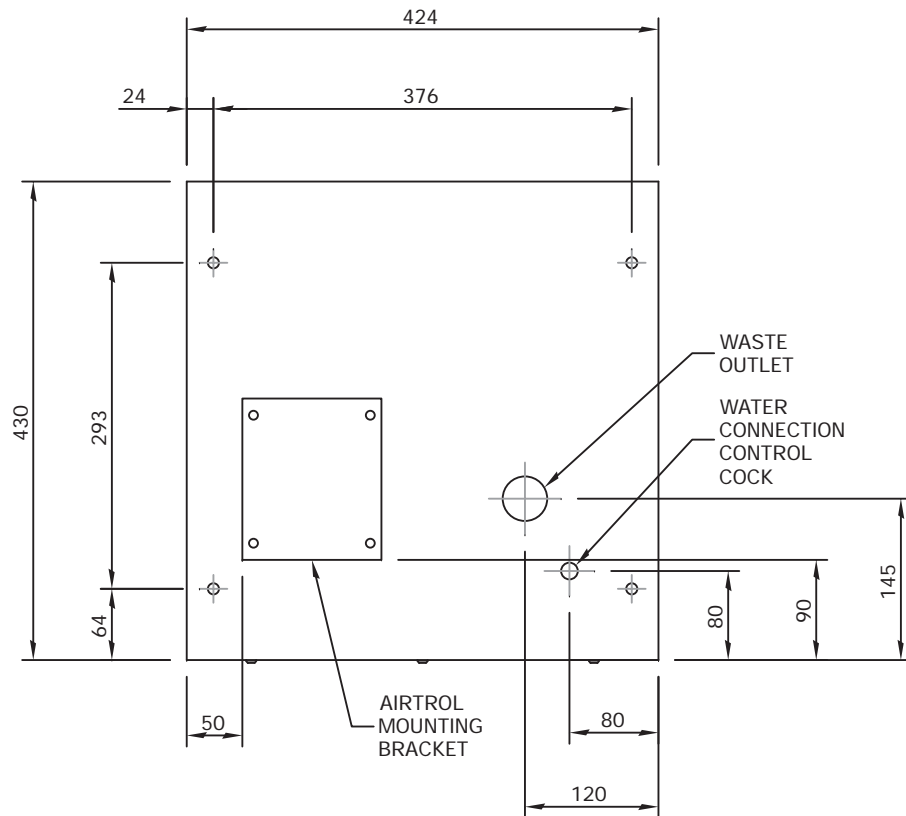
### RBA8880-100 SECURITY BASIN



For further information,  
 contact the nearest RBA Group office:  
**SYDNEY • MELBOURNE • BRISBANE • PERTH • AUCKLAND**  
**Australia** 1300 788 778 | [www.rba.com.au](http://www.rba.com.au)  
**New Zealand** 0800 722 111 | [www.rbagroup.co.nz](http://www.rbagroup.co.nz)



## ROUGH-IN



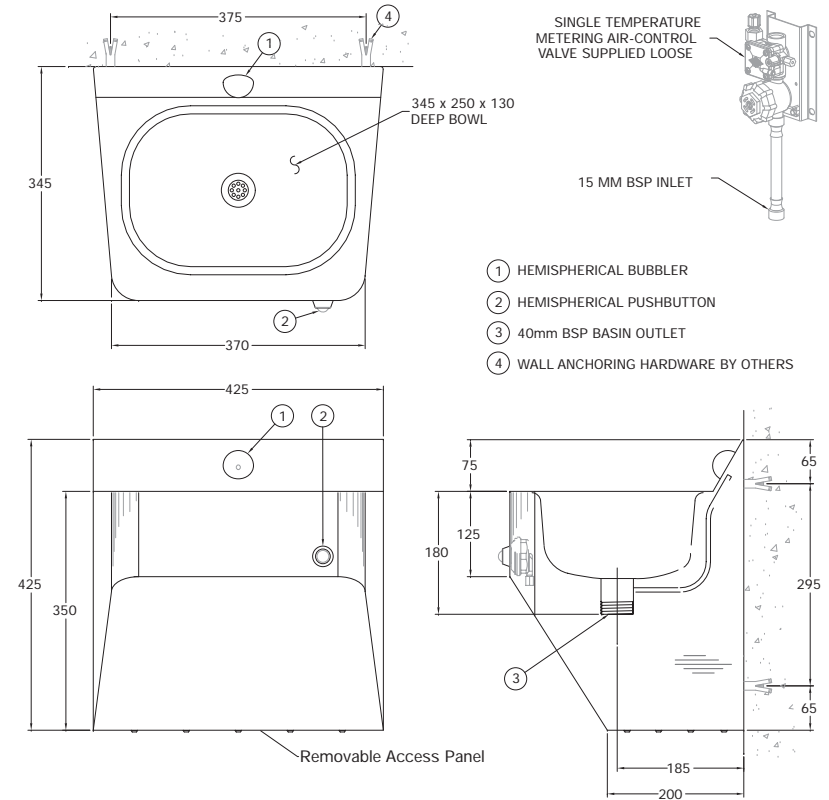
RBA8880-100 SECURITY WASH BASIN - FRONT FIXED  
FIXING AND CONNECTION DETAIL (VIEWED FROM FRONT OF BASIN)

Refer to "Installation Instructions Air-Trol Valve Model 03-M" for specific valve requirements.

If the Air Trol valve is to be located within the basin frame, the water supply should be terminated with a control cock as in fig. 1.

Waste outlet location in fig 1 is for 40 mm plastic "P" trap. This location may vary subject to type of trap used, and should be confirmed prior to rough-in.

## INSTALLATION



The Air Trol valve may be fixed to the wall, as in fig 1, and connected to the water supply prior to installing the basin.

The basin should be fitted at a height and location nominated by the specifier, or the relevant code.

Remove the access panel from the bottom of the basin using the security bit provided. Ensure the basin is level, then fix it to the wall through the 4 fixing points shown in fig 1, using appropriate wall anchors and bolts, provided by others.

Fit the trap, make the necessary water and activation tube connections, and turn on the water supply. Supply lines should be flushed thoroughly prior to connection.

Adjust the flow time and check for leaks etc, then replace the access panel.