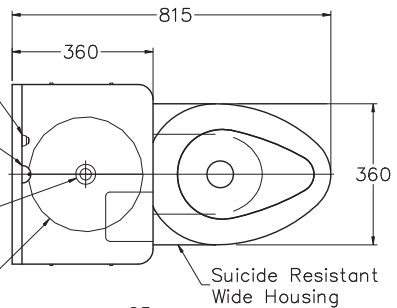


Hemispherical Pushbutton
For Single Temperature
Air-Control Metering Valve

Hemispherical
Bubbler

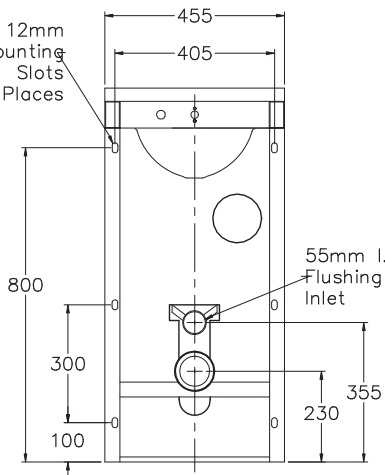
53mm Dia. Punching
(0015-064-999) For Drop
In Waste By Others

292mm Round Bowl



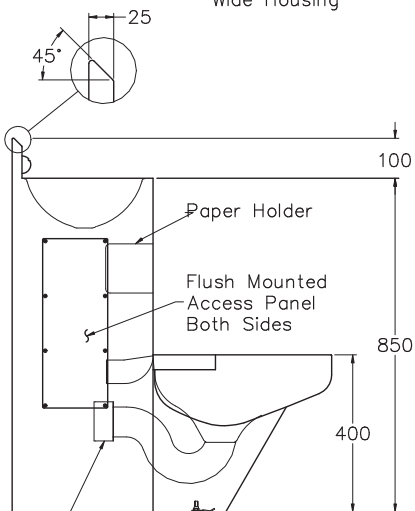
Suicide Resistant
Wide Housing

12mm
Mounting
Slots
6 Places



55mm I.D.
Flushing
Inlet

100mm O.D.
Waste Outlet



Paper Holder

Flush Mounted
Access Panel
Both Sides

Concealed S-Clip
Floor Anchor



INSTALLATION INSTRUCTIONS

**RBA88557-100 SERIES COMBY
WITH S- OR P-TRAP OUTLET - FRONT OR REAR FIXED**



For further information,
contact the nearest RBA Group office:
SYDNEY • MELBOURNE • BRISBANE • PERTH
Phone: 1300 788 778 • Fax: 1300 788 878
info@rba.com.au • www.rba.com.au

SPECIAL FEATURES

Suicide Resistant
Watermark certification
Includes 6 Star WELS Certified Tapware
Toilet has 3 Star WELS certification
Can come as S- or P- Trap
Can be Front or Rear fixed
Bubbler and push button assembly
Air-Trol Basin Valve
Wall anchors by others

COMPONENTS

Stainless Steel Combination Toilet and Basin Unit
S-Clip
Torx Driver Bit
Bubbler and push button assembly
Air-Trol Basin Valve
Wall anchors by others

PRE-INSTALLATION

Installation should be in accordance with local authority and statutory requirements, and as per these installation instructions.
The Combination unit is "Floor & wall mounted" and should preferably be fixed to a masonry wall with suitable wall anchors provided by others.

HYDRAULIC REQUIREMENTS

Basin Connections
Pressure: Min: 200kPa Max: 600kPa
Inlet Connection: 15mm BSP Male
Outlet Connection: 53mm Dia. Punching for drop in waste by others

Toilet Connections
Inlet Connection: 55mm I.D. Flushing Inlet
Outlet Connection: 100mm O.D. Waste Outlet

INSTALLATION

- 1) Check architects drawing for mounting and details.
- 2) Place the unit in the required location and mark up fixing locations.
- 3) Fix the Air Control Valve in the centre of the opening, on the rear face, ensuring that the valve does not impede with any other part of the fixture. Flush the supply line and connect the water supply to the valve, using the braided S/S hose provided.
- 4) Fit a 55 mm keeseal to the pan inlet with sufficient pipe, to extend through the wall.
- 5) Fit a 100 mm pan collar to the outlet with sufficient 100 mm pipe to extend through the wall. (Alternately the waste and flush pipes may be pre-plumbed and the pan pushed onto the pipework.) If "S" trap configuration is required, location of floor penetration should be determined from the drawing.
- 6) Fix S-clip first, place unit and then fix unit to wall using appropriate anchors and bolts supplied by others.
- 7) Turn on water and test for leaks.