

COMPONENTS

“P” Trap Stainless Steel Pan
Security bit

“S” Trap converter

PRE-INSTALLATION

Installation should be in accordance with local authority and statutory requirements, and as per these installation instructions.

Pan is “wall faced” and should preferably be fixed to a masonry wall with suitable wall anchors provided by others. Supplied with “S” trap converter to allow either “S” or “P” configuration.

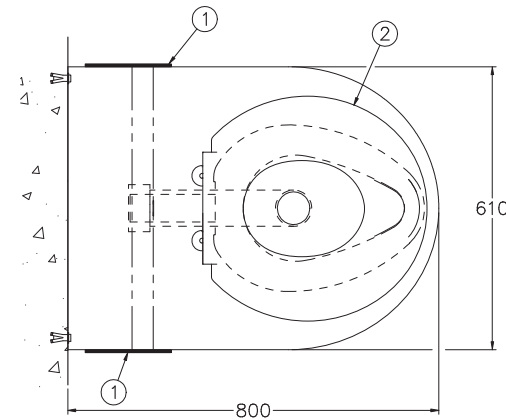
Flushing device should be –

Fowler Tasman Mk 2 (or Stylus Symphony) cistern
Caroma Invisi II (Inceiling mount recommended)
Sloan Dual Flush Valve

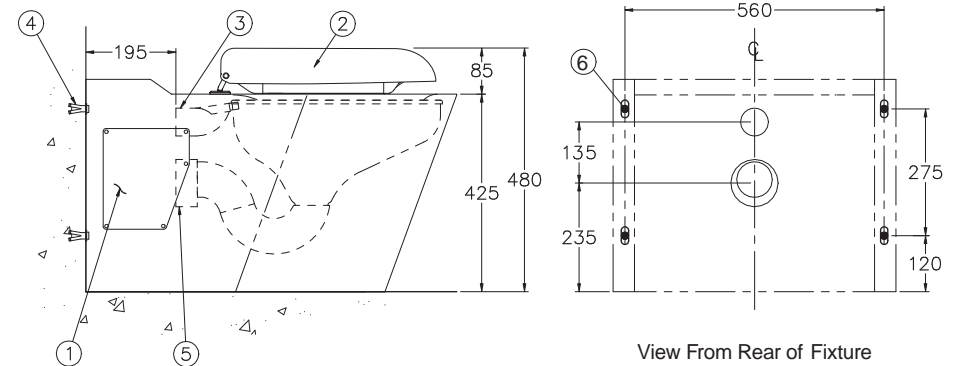
INSTALLATION

1. If not pre-formed, make sufficient penetrations through the wall, as determined from the drawing, to allow the 100 mm waste pipe, 50 mm flush pipe, and, if necessary, 12 mm fixing rods to pass through. If front fixed, suitable wall anchors supplied by others.
2. Determine floor mounting location by mocking up.
3. Fit a 100 mm pan collar to the outlet with sufficient 100 mm pipe to extend through the wall. (Alternately the waste and flush pipes may be pre-plumbed and the pan pushed onto the pipework.) If “S” trap configuration is required, location of floor penetration should be centred 220mm from finished wall.
4. Similarly fit a 50 mm keeseal to the pan inlet with sufficient pipe, as provided by the cistern manufacturer, to extend through the wall.
5. Push the pan into position and secure the pan to the wall & floor (fixings by others).
6. Make the necessary connections to the waste, and install the cistern and connect according to the manufacturers instructions.
7. Check for leaks and correct flush volumes, 6 litres full flush and 3 litres half flush.

INSTALLATION



- ① Access Panels
- ② Optional - RBA8186-853 Big John Hinged Seat Rated 545kg
- ③ 55mm ID Flushing Inlet: Keeseal (By Others)
- ④ Wall Anchors and Anchoring Hardware (By Others)
- ⑤ 100mm OD Waste Outlet
- ⑥ Mounting Slots \varnothing 15mm x 38mm



View From Rear of Fixture

RBA8851-137 Front Fixed Shown