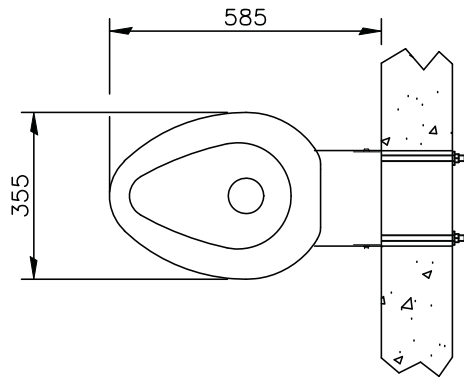
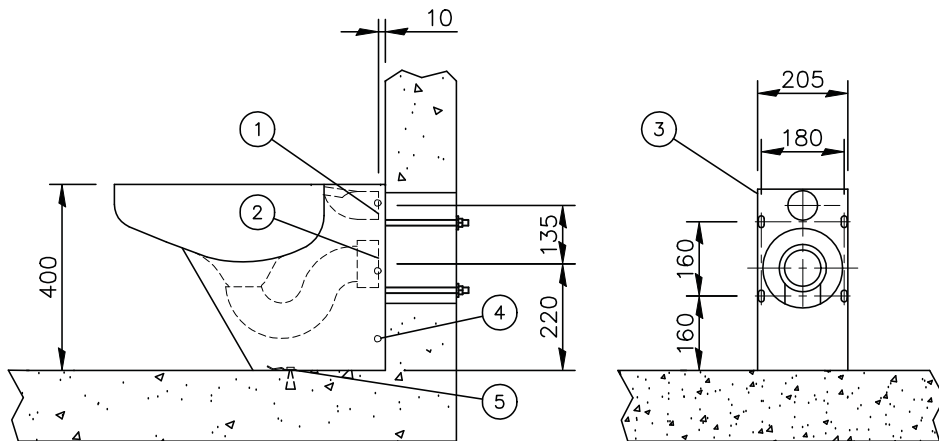


INSTALLATION



MODEL RBA8841-100

- ① 55mm ID Flush Inlet; Keyseal Provided by Others.
- ② 100mm OD Waste Outlet.
- ③ Mounting Frame with 25mm x 13mm Slotted Holes.
- ④ Vandal Resistant Fasteners for Toilet Mounting to Frame Assembly.
- ⑤ Floor Mounting 'S' Clip.



Model RBA8841-144 Rear Fixed



For further information,
contact the nearest RBA Group office:
SYDNEY • MELBOURNE • BRISBANE • PERTH • AUCKLAND
Australia 1300 788 778 | www.rba.com.au
New Zealand 0800 722 111 | www.rbagroup.co.nz



RBA II - RBA8841-100&144/0314



INSTALLATION INSTRUCTIONS

MODEL RBA8841-100 FRONT FIXED MODEL RBA8841-144 REAR FIXED



COMPONENTS

"P" Trap Stainless Steel Pan
Security bit
S-Clip

PRE-INSTALLATION

Installation should be in accordance with local authority and statutory requirements, and as per these installation instructions.

Pan is "wall faced" and should preferably be fixed to a masonry wall with suitable wall anchors provided by others.

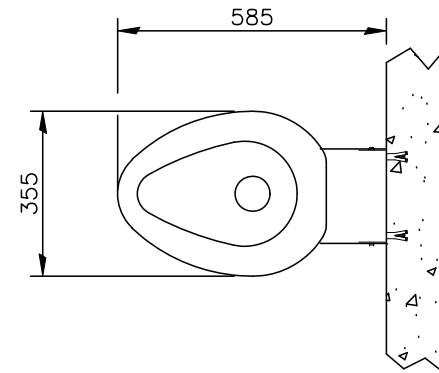
Flushing device should be –

Fowler Tasman Mk 2 (or Stylus Symphony) cistern
Caroma Invisi II (Inceiling mount recommended)

INSTALLATION

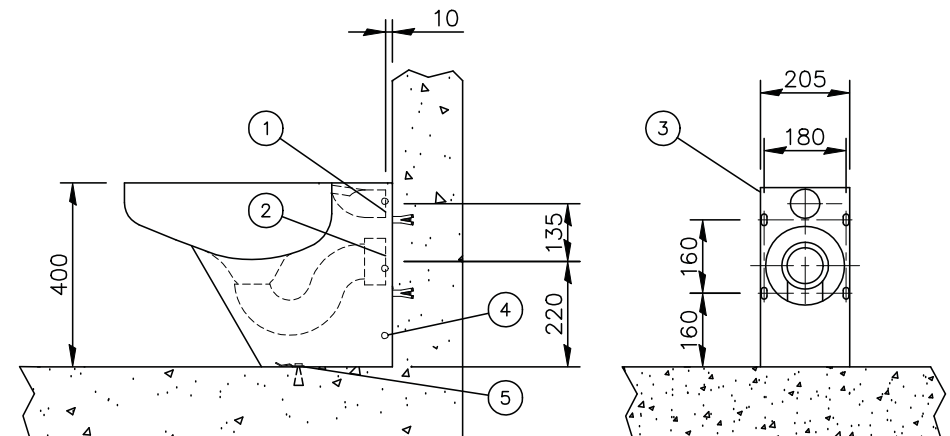
1. If not pre-formed, make sufficient penetrations through the wall, as determined from the drawing, to allow the 100 mm waste pipe and 50 mm flush pipe to pass through.
2. Remove the mounting frame from the pan and fix it to the wall with appropriate wall anchors, and the "S" clip to the floor.
3. Fit a 100 mm pan collar to the outlet with sufficient 100 mm pipe to extend through the wall. (Alternately the waste and flush pipes may be pre-plumbed and the pan pushed onto the pipework.)
4. Similarly fit a 50 mm keeseal to the pan inlet with sufficient pipe, as provided by the cistern manufacturer, to extend through the wall.
5. Push the pan over the mounting frame, ensuring that the "S" clip on the floor is engaged, and secure to the pan to the frame with the security screws provided.
6. Make the necessary connections to the waste, and install the cistern and connect according to the manufacturers instructions.
7. Check for leaks and correct flush volumes, 6 litres full flush and 3 litres half flush.

INSTALLATION



MODEL RBA8841-100

- ① 55mm ID Flush Inlet; Keeseal Provided by Others.
- ② 100mm OD Waste Outlet.
- ③ Mounting Frame with 25mm x 13mm Slotted Holes.
- ④ Vandal Resistant Fasteners for Toilet Mounting to Frame Assembly.
- ⑤ Floor Mounting 'S' Clip.



Model RBA8841-100 Front Fixed