

COMPONENTS

"P" Trap Stainless Steel Pan
4 x M12 threaded rods, nuts & washers

PRE-INSTALLATION

Installation should be in accordance with local authority and statutory requirements, and as per these installation instructions.

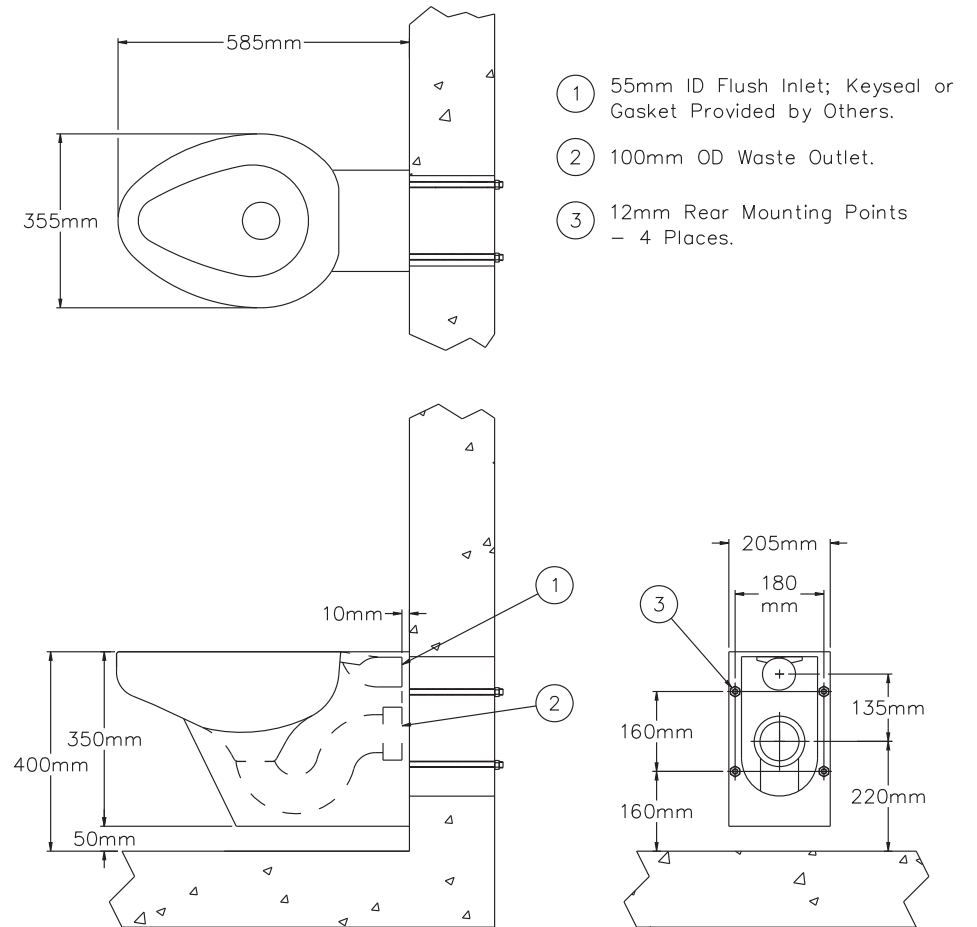
As the pan is designed to be wall hung, and fixed from the rear, care should be taken to ensure that the wall will be sufficient to support the pan and user. Preferably a masonry wall or similar.

Flushing device should be –
Fowler Tasman Mk 2 (or Stylus Symphony) cistern
Caroma Invisi II (Inceiling mount recommended)

INSTALLATION

1. If not pre-formed, make sufficient penetrations through the wall, as determined from the drawing, to allow the 100mm waste pipe, 50mm flush pipe and 12mm fixing bolts to pass through.
2. Fit a 100mm pan collar to the outlet with sufficient 100mm pipe to extend through the wall.
3. Similarly fit a 50mm Keeseal to the pan with sufficient pipe, as provided by the cistern manufacturer, to extend through the wall.
4. Fit the 4 x M12 rods with nuts and washers to the pan and place the pan in position.
5. Place the nuts and washers on the ends of the rods, check the pan for position and level, and tighten in position.
6. Make the necessary connections to the waste, and install the cistern and connect according to the manufacturers instructions.
7. Check for leaks and correct flush volumes, 6 litre full flush and 3 litre half flush.

INSTALLATION



RBA8832-100 REAR MOUNT WALL HUNG PAN