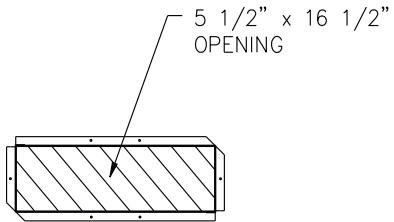
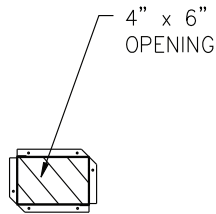


**BOTH VIEWS ARE FROM CELL SIDE**  
SHADED AREAS ARE REQUIRED WALL OPENINGS 



**WALL SLEEVE** (-SW)



**WALL SLEEVE** (-SW)

#### **WALL SLEEVES**

Sleeves are nailed (or screwed) into forms or grouted into block walls, becoming a permanent part of the wall.

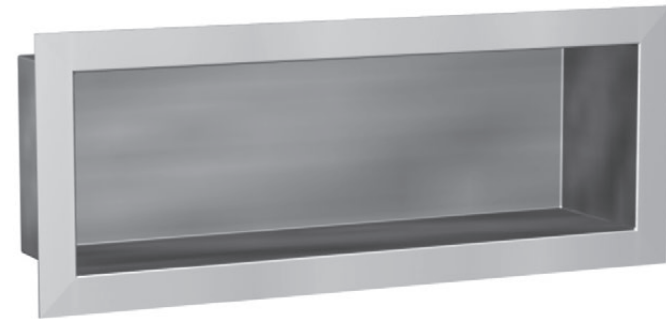
A - Install sleeve with flange on chase side of wall.

NOTE: For poured wall construction, temporary bracing should be installed within sleeve opening to prevent deformation to sleeve which may occur during pour. Do not pour concrete directly on top of wall sleeve.



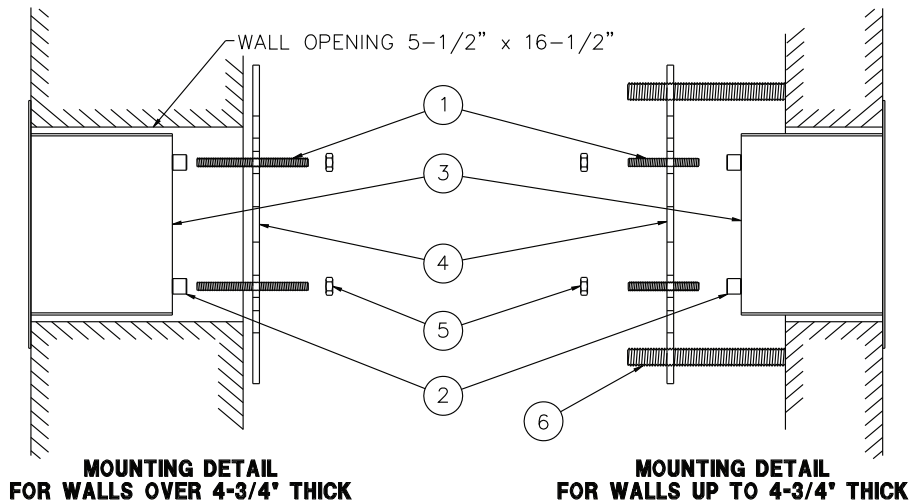
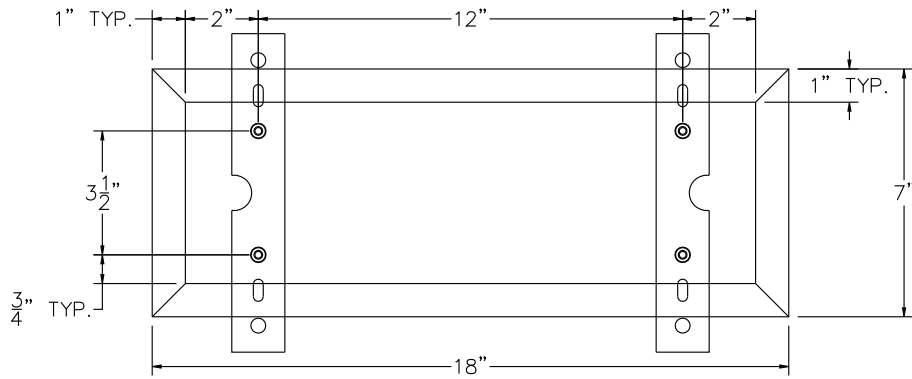
## **INSTALLATION INSTRUCTIONS**

### **RBA8120-100 RECESSED SHELF**



For further information,  
contact the nearest RBA Group office:  
SYDNEY • MELBOURNE • BRISBANE • PERTH  
Phone: 1300 788 778 • Fax: 1300 788 878  
info@rba.com.au • www.rba.com.au

## INSTALLATION

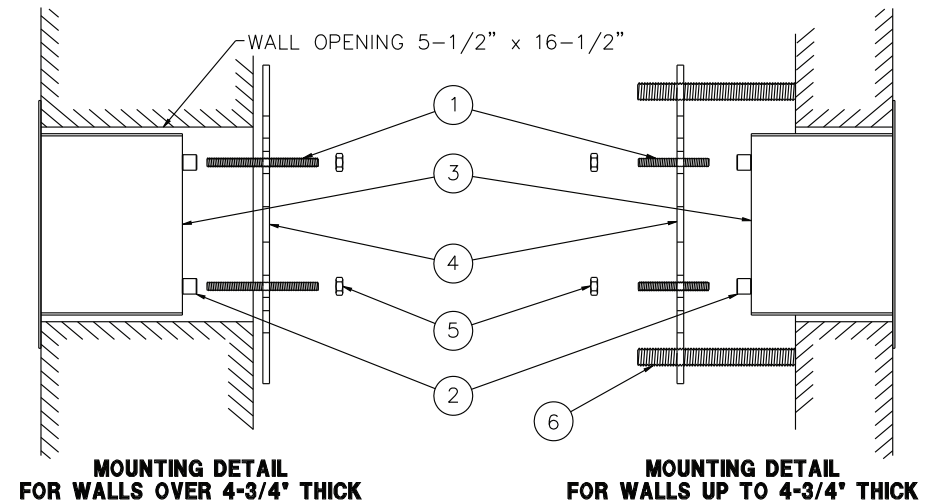
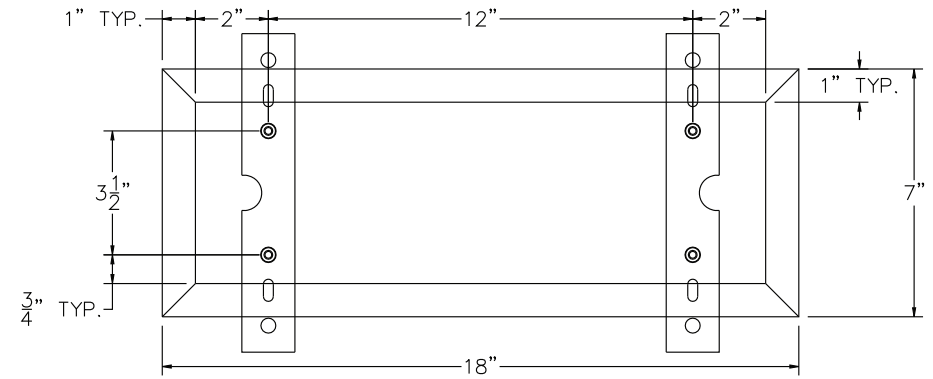


### WALLS OF MINIMUM THICKNESS OF 4-3/4"

A - Hand tighten (4) mounting studs (1) into nuts (2) on back of recessed shelf (3). place shelf (3) in wall opening.

B - From chase side, place back (4) over studs (1), screw nuts (5) on to studs (1) & tighten. note: do not exceed 6.5 ft/lbs max. torque on mounting nuts (5).

## INSTALLATION



### WALLS OF MAXIMUM THICKNESS OF 4-3/4"

A - Hand tighten (4) mounting studs (1) into nuts (2) on back of recessed shelf (3). place shelf (3) in wall opening.

B - From chase side, place back (4) over studs (1), screw nuts (5) on to studs (1). thread 1/2" studs (6) through plate (4) & tighten against wall to secure shelf (3).