

INSTALLATION

Mounting Heights: RBA4150-101
RBA4150-111

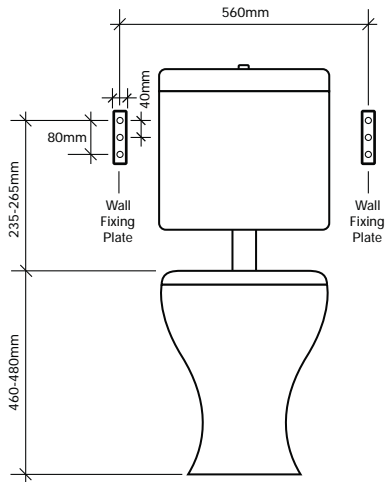


Fig. (a)

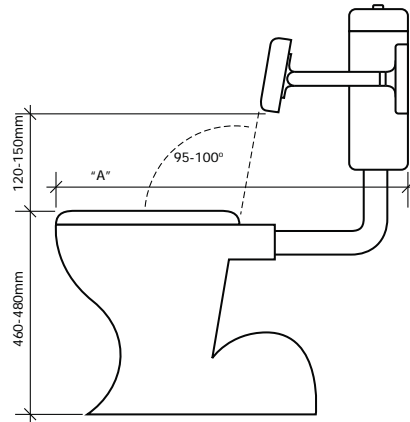
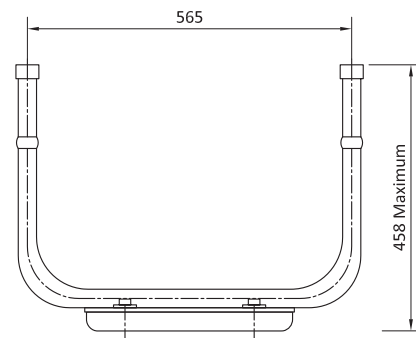
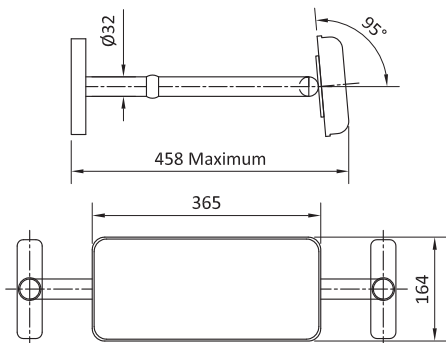


Fig. (b)



INSTALLATION

Warning: Backrests are no stronger than the anchors or walls to which they are attached, and therefore, must be firmly secured in order to support the loads for which they are intended.

RBA Backrest meets the requirements of AS1428.1-2009 (amdt 1-2010) when installed correctly.

1. Secure Concealed Mounting Brackets as per Fig. (a).
2. Based on location of toilet seat hinging point, determine desired length of 30mm Dia Stainless Steel Bar to achieve 95°-100° angle on seat when raised, as per Fig. (b).
3. Cut Stainless Steel Bar to suit.
4. Fix Bracket Cover to Stainless Steel Bar, and tighten securely with tension bolt provided. Note: Bolt needs to be tensioned to a torque setting of 80Nm.
5. Set Bracket Cover over Concealed Mounting Bracket and secure with Locking Bolt.
6. Set toilet seat to upright position to confirm accurate angle.