



rba

INSTALLATION INSTRUCTIONS

SELF CLOSING RECESSED TAP VALVE



**RBA1055-510
SHORT-RUN TAP VALVE**



**RBA1055-530
LONG-RUN TAP VALVE**



rba

For further information,
contact the nearest RBA Group office:
SYDNEY • MELBOURNE • BRISBANE • PERTH • AUCKLAND
Australia 1300 788 778 | www.rba.com.au
New Zealand 0800 722 111 | www.rbagroup.co.nz



SPARE PARTS

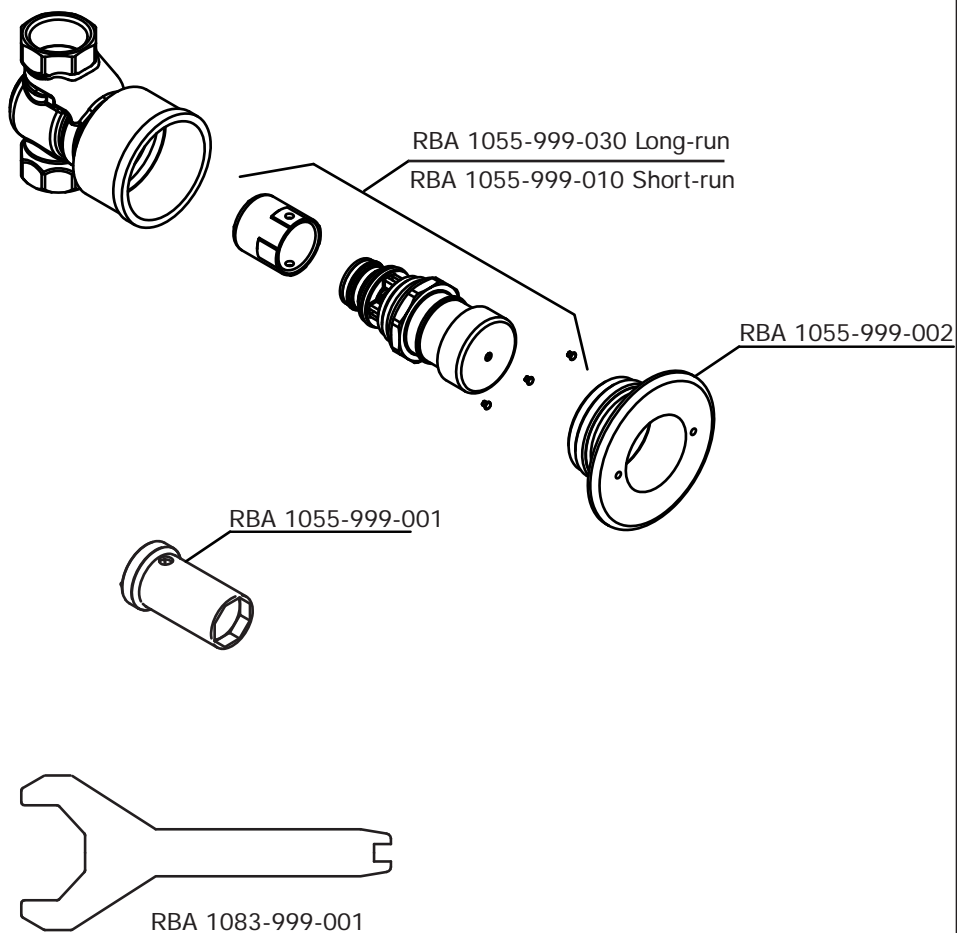


FIGURE 6

Code Number	Part Description
RBA 1055-999-030	Long-run Cartridge with Coloured Plugs (30 Seconds)
RBA 1055-999-010	Short-run Cartridge with Coloured Plugs (10 Seconds)
RBA 1055-999-002	Escutcheon
RBA 1055-999-001	Special key
RBA 1083-999-001	Spanner key

INSTALLATION BELOW OUTLET

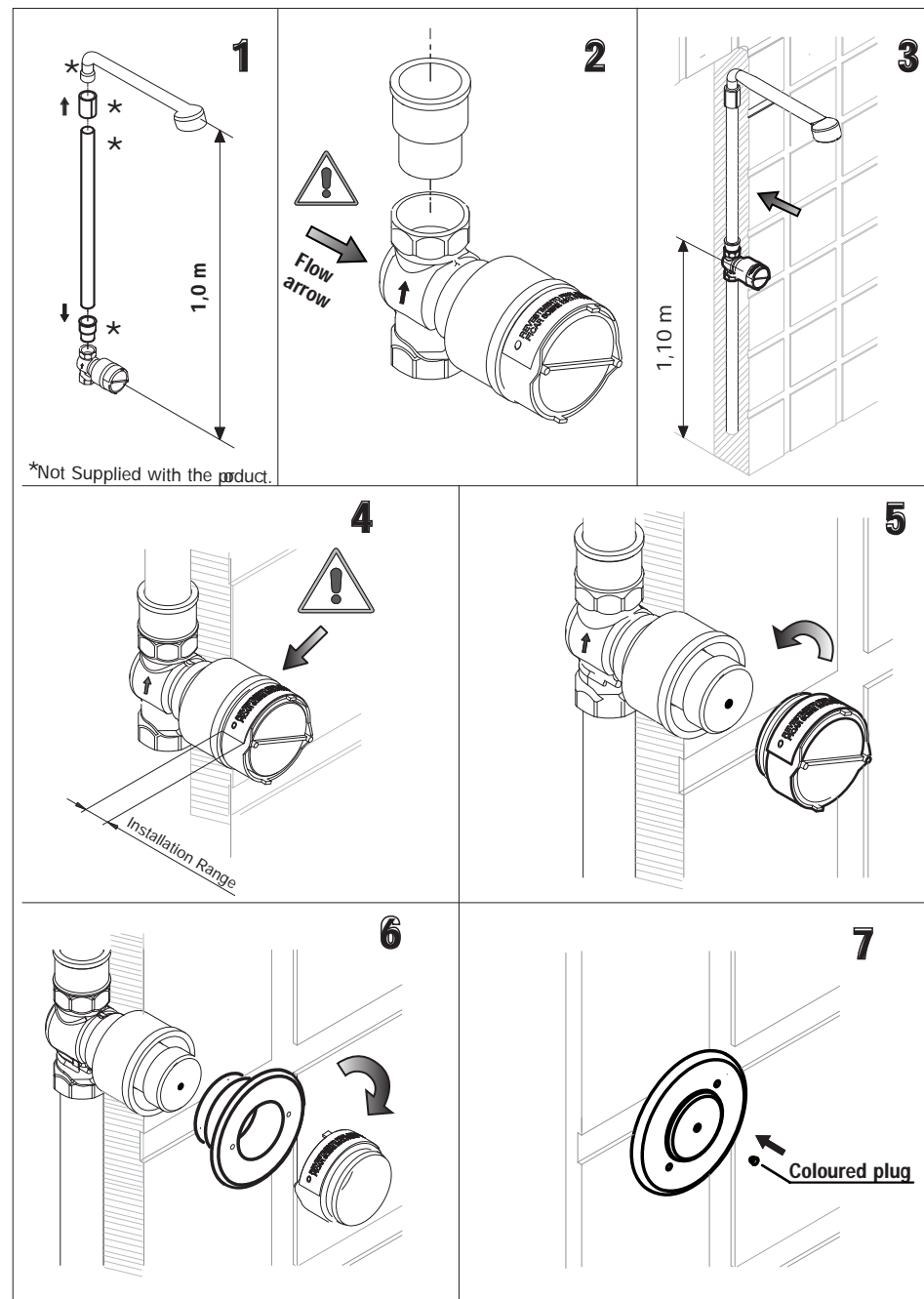


FIGURE 2

INSTALLATION - ABOVE OUTLET

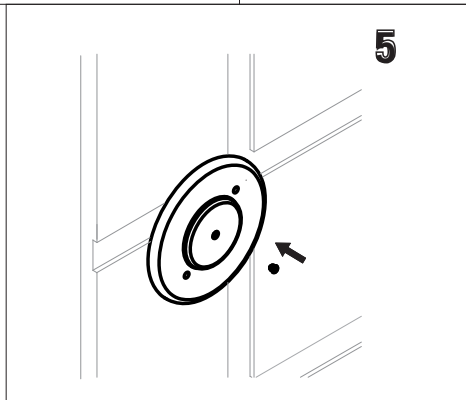
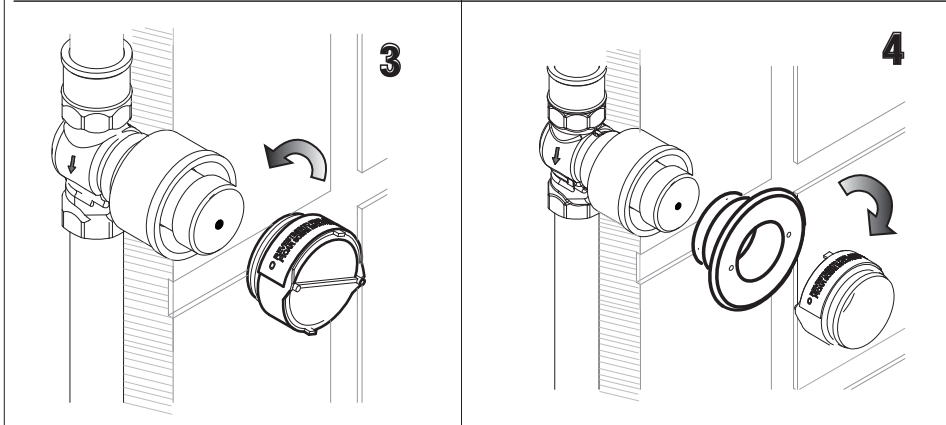
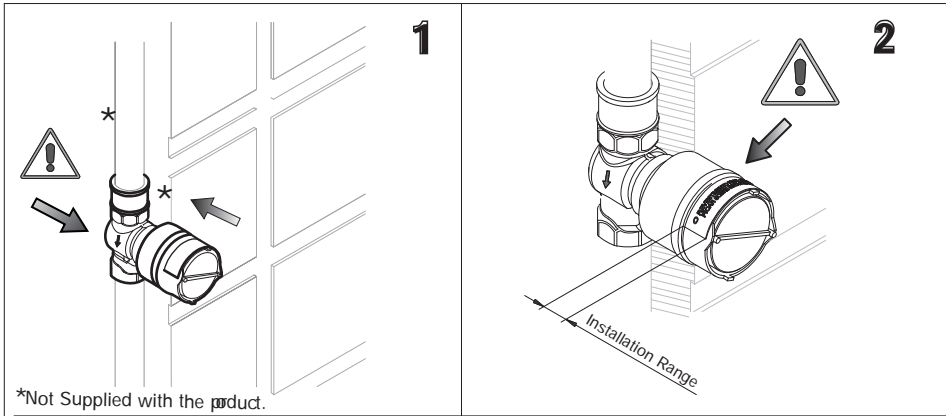


FIGURE 3

TROUBLE SHOOTING

PROBLEM	PROBABLE CAUSE	SOLUTION
No flow or low volume	Water turned off	Turn on
	Water outlet blocked	Remove the blockage
Water flows continuously or Short/ long flow time	Cartridge blocked whit dirt	Remove and clean*
	Cartridge damaged	Replace the cartridge*
Leak under knob	Cartridge damaged	Replace the cartridge*

* To remove the escutcheon and replace the cartridge, use Special Key # RBA 1055-999-001, see fig. 4.

To disassemble the cartridge, use the Spanner Key # RBA 1083-999-001, see fig 5.

MAINTANANCE KEYS

