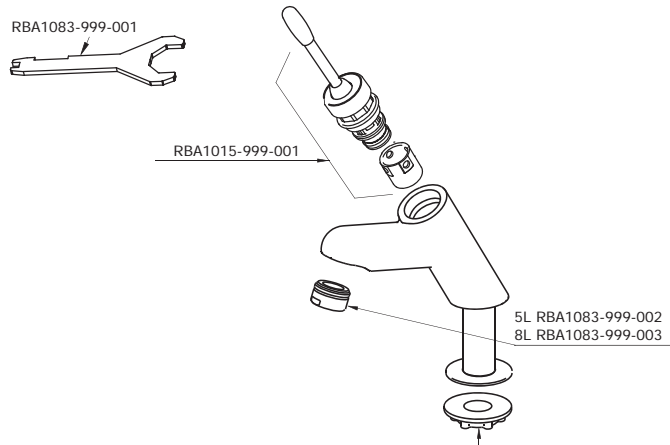


SPARE PARTS

RBA1015 SERIES



RBA Code Number	Part Description
RBA1015-999-001	Cartridge with Coloured Plugs 7 seconds
RBA1083-999-002	Aerator Perlator 5Lpm
RBA1083-999-003	Aerator Perlator 8Lpm
RBA1083-999-001	Spanner
RBA1083-999-006	Brass Locknut

FIGURE 2



For further information,
contact the nearest RBA Group office:
SYDNEY • MELBOURNE • BRISBANE • PERTH • AUCKLAND
Australia 1300 788 778 | www.rba.com.au
New Zealand 0800 722 111 | www.rbagroup.co.nz



II/Model RBA1015/0612



INSTALLATION INSTRUCTIONS

SELF CLOSING PILLAR TAP



'BENEFIT HD'
RBA1015 SERIES

TECHNICAL DATA

Inlet	1/2" BSP (G1/2")
Operating pressure	200 – 500 kPa
Flow Time	7 seconds nominal
Maximum Temp.	55°C
Flow Rate	4.5L per minute/8.5L per minute
Warranty	2 Years

DIMENSIONS

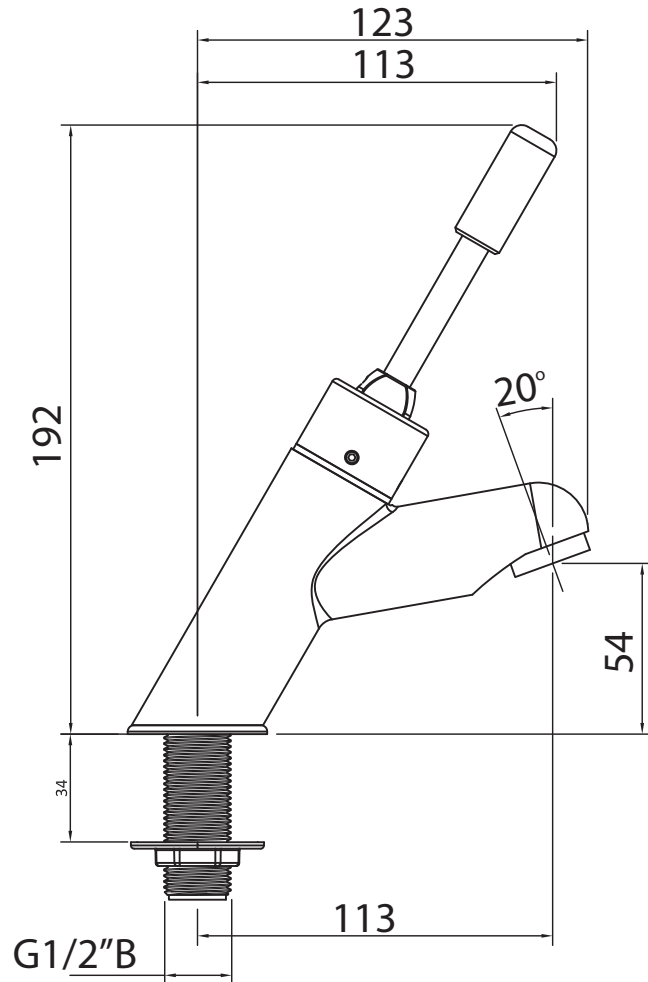


FIGURE 1

DESCRIPTION

Self closing pillar taps are designed for public areas, available in bright chrome finish casted from dezincification resistant brass alloy. Single connection to water supply line, to either cold or pre-mixed water.

RBA 1015-600 'RIO' Basin Pillar Tap DR - Chrome - 6 Star WELS, 4.5Lpm
 RBA 1015-400 'RIO' Basin Pillar Tap DR - Chrome - 4 Star WELS, 8.5Lpm

INSTALLATION

- 1) Installation must be carried out in accordance with local authority requirements.
- 2) Flush the line thoroughly, and remove all dirt and grit from the line before connecting the tap.
- 3) Install the tap in the basin, tightening lightly with spanner or grips.
- 4) Connection may be made with either flexible S/S braided hose, or copper tube and compression fittings.
- 5) Before turning on the water remove the aerator and flush the tap.
- 6) Replace the aerator and check for leaks.
- 7) Fit appropriate coloured indicator to the handle.

TROUBLESHOOTING

PROBLEM	PROBABLE CAUSE	SOLUTION
No flow or low volume	Water turned off	Turn on
	Aerator blocked	Remove and clean*
Water flows continuously or Short/long flow time	Cartridge blocked with dirt	Remove and clean*
	Cartridge damaged	Replace the cartridge*
Leak under knob	Cartridge damaged	Replace the cartridge*

* To remove the aerator and cartridge, see "Spare Parts" to choose appropriate tool. (Not supplied with the product).

NOTES
