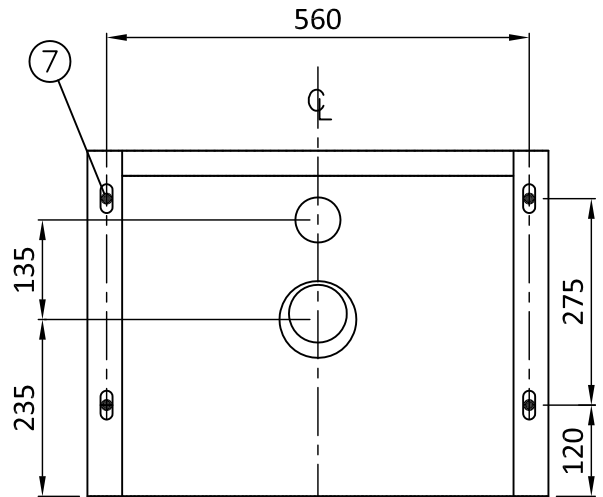
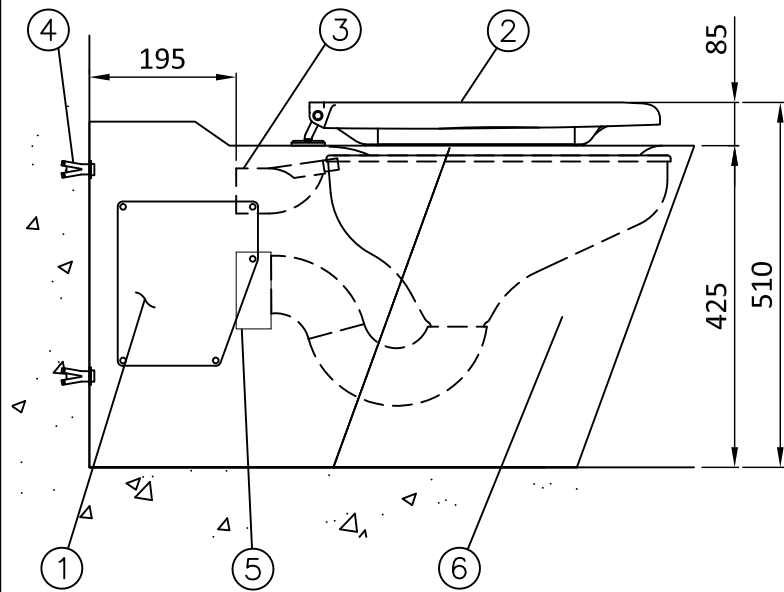


- ① Access Panels
- ② Optional -HSBJ Big John Hinged Seat Rated 545 kg
- ③ 55mm ID Flushing Inlet; Keyseal or Gasket (By Others)
- ④ Wall Anchors And Anchoring Hardware (By Others)
- ⑤ 100mm OD Waste Outlet
- ⑥ Powder Coat White Outside Only
- ⑦ Mounting Slots  $\varnothing$ 15mm x 38mm Long

**Options:**

- HSBJ Big John Hinged Seat (Shown)



View From Rear of Fixture

**RBA MODEL RBA8851-137 BARIATRIC ON THE FLOOR TOILET**

RBA's Bariatric Toilet intended to be installed on a finished wall and maintained utilizing side access panels. Unit is modified with European style Toilet and P-Trap. Fixture to be fabricated of 1.9mm type 304 stainless steel and is seamless welded construction with exposed surfaces polished to a satin finish. Fixture shall withstand loads up to 910 kg with no measurable deflection and loads up to 2270 kg with no permanent damage.

Refer to RBA8851-137 Technical Data Sheet for further options and technical data.

ALL DIMENSIONS IN MILLIMETRES

				DRAWN	JB	PROJECT			A4
				DATE	27.09.11	TITLE			RBA8851-137 BARIATRIC TOILET
				CHECKED		DWG NO.			RBA8851-137
				APPROVED		SHEET		1 of 1	REV. 1
Copyright - "This drawing and the information contained herein is and shall remain the property of RBA Group Pty Ltd. It must not be used or reproduced for any other purpose other than that stated in the documents for which it was produced. Unauthorised use in any form whatsoever is strictly prohibited ©"				PLOT SCALE		Sydney - Melbourne - Brisbane Telephone: 1300 788 778 Facsimile: 1300 788 878 Email: info@rba.com.au Website: www.rba.com.au			
				1:10					