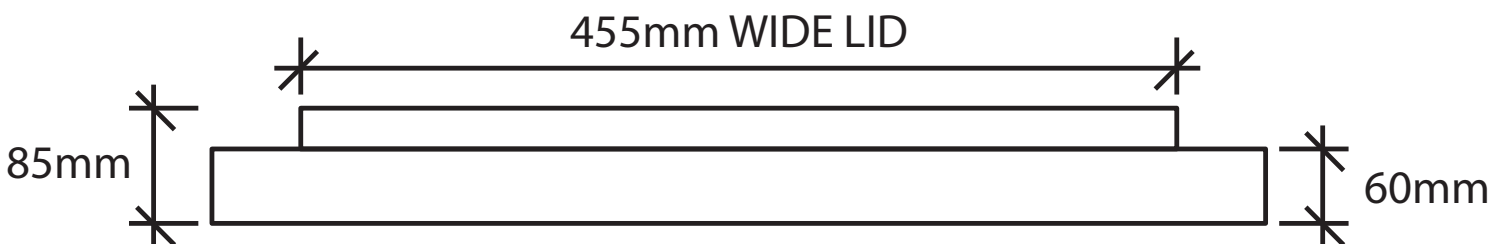
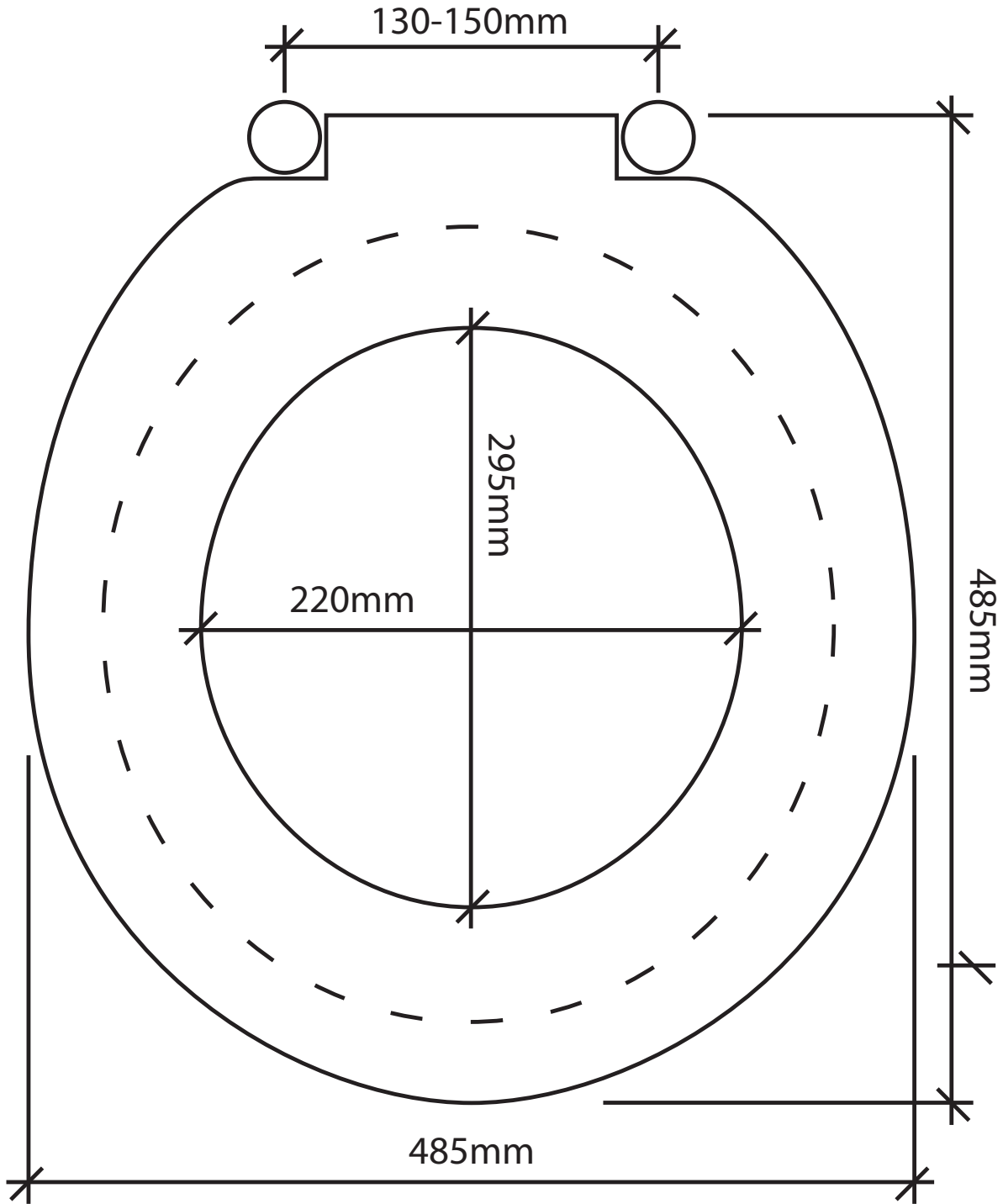


# RBA8186-853 Bariatric Toilet Seat PREMIUM

## PLAN VIEW



## ELEVATION VIEW