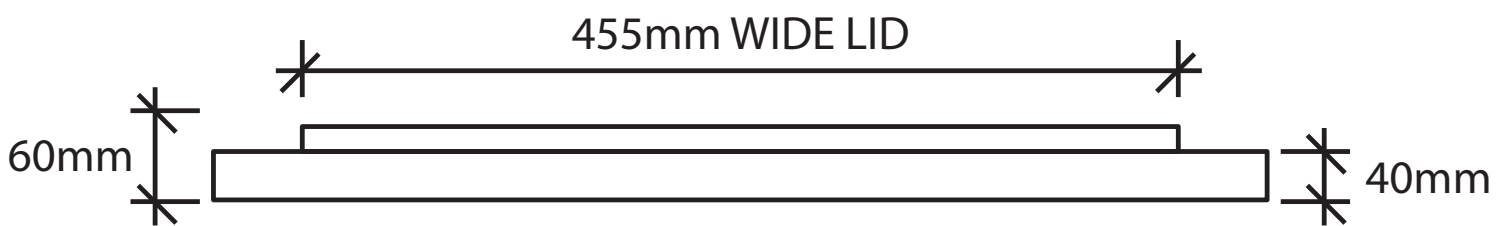
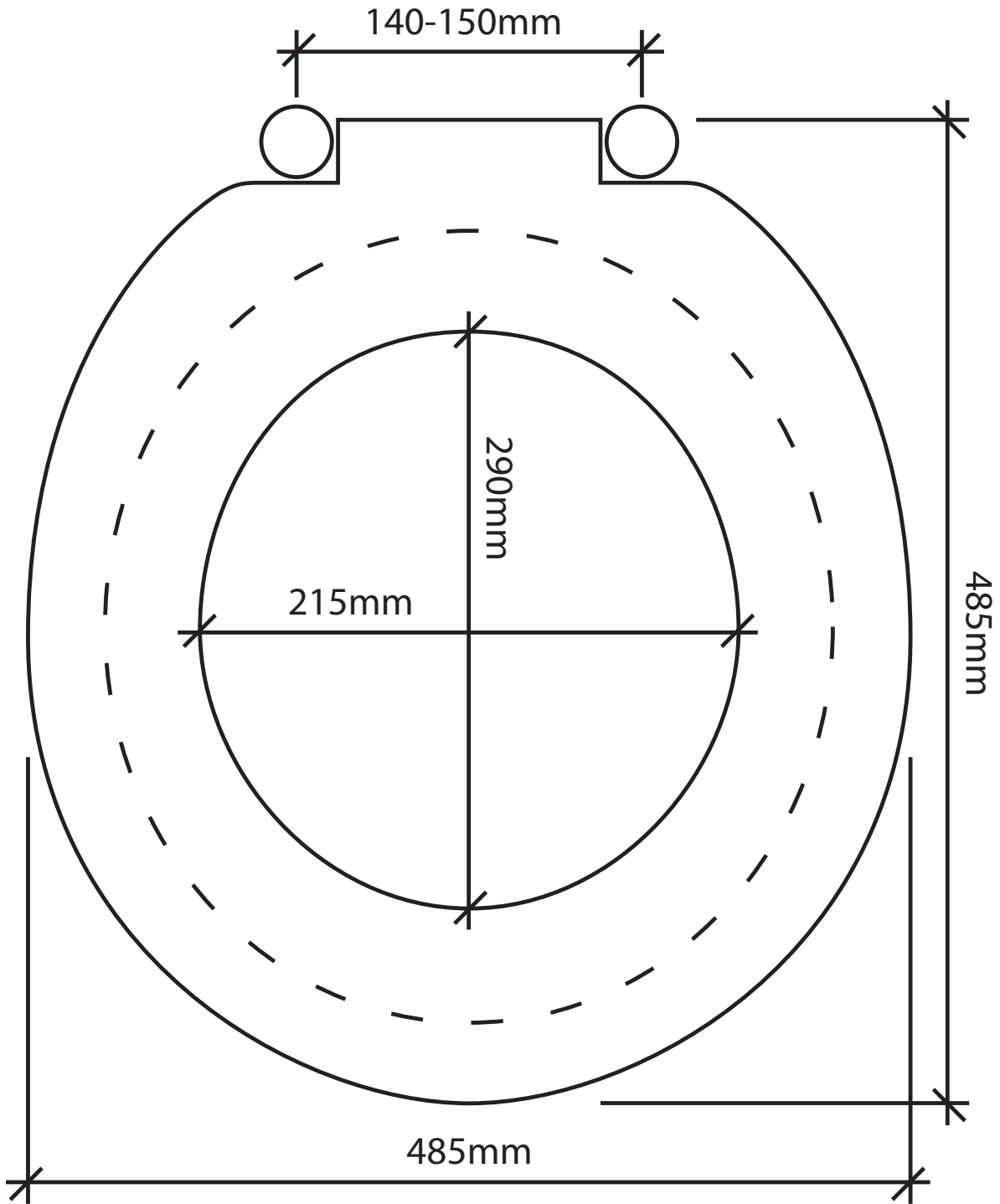


RBA8186-623 Bariatric Toilet Seat ECONOMY PLAN VIEW



ELEVATION VIEW